



KAR LIFT

HEAVY DUTY BUS, TRUCK & OFF ROAD LIFTING
DRIVE-ON-RAMP STYLE PANTOGRAPH LIFTS PROVIDE RAPID ACCESS FOR INSPECTION, SERVICE, OR WASH BAY OPERATIONS

KAR LIFT

31,000 LB. (14T) TO
99,000 LB. (45T) CAPACITY
RUNWAYS 20' (6M) TO 48' (14.5M)



ADDITIONAL FEATURES



Exclusive "Volumetric" control eliminates the need for electronic sensors - Stays level all the time.



Available in surface, recessed floor or full flush-mounted installations



Patented "AOS" Energy absorbing system eliminates the need for sliding legs at the base or under runways

OMER USA, INC. 3402 OAKCLIFF ROAD, STE. B6 DORAVILLE, GEORGIA 30340 PHONE +1(470) 275-5919 FAX +1(470) 275-5910

JUNE 2017



31,000 LB. (14T) TO 99,000 LB. (45T) CAPACITY

AT OMER USA, OUR GOAL IS TO BUILD LIFTS THAT LAST LONGER, PERFORM BETTER, & COST LESS TO OPERATE

KAR CLOUD & ECL MODELS	CAPACITY	POWER SUPPLY	LENGTH	RUNWAY WIDTH	COLLAPSED HEIGHT	RAISED HEIGHT	APPROACH RAMP LENGTH	LIFT TIME	SHIP WEIGHT
CLOUD 140 SERIES	31,000 lb.(14T)	10HP / 7.5 kw - 208/440v 3 phase 60hz optional. 600v	20', 23', 26', 30', 33', 36' / 6M, 7M, 8M, 9M, 10M & 11M	30" / 762MM	14.2" / 361MM	79" / 2007MM	104" / 2642MM	75	10 to 15,000 lb. / 4.5T to 6.8T
CLOUD 170 SERIES	37,000 lb.(17T)	10HP / 7.5 kw - 208/440v 3 phase 60hz optional. 600v	20', 23', 26', 30', 33', 36' / 6M, 7M, 8M, 9M, 10M & 11M	30" / 762MM	14.2" / 361MM	79" / 2007MM	104" / 2642MM	75	10 to 15,000 lb. / 4.5T to 6.8T
CLOUD 190 SERIES	42,000 lb. (19T)	10HP / 7.5 kw - 208/440v 3 phase 60hz optional. 600v	20', 23', 26', 30', 33', 36' / 6M, 7M, 8M, 9M, 10M & 11M	30" / 762MM	14.2" / 361MM	79" / 2007MM	104" / 2642MM	75	10 to 15,000 lb. / 4.5T to 6.8T
CLOUD 230 SERIES	51,000 lb. (23T)	10HP / 7.5 kw - 208/440v 3 phase 60hz optional. 600v	20', 23', 26', 30', 33', 36' / 6M, 7M, 8M, 9M, 10M & 11M	30" / 762MM	14.2" / 361MM	79" / 2007MM	104" / 2642MM	75	10 to 15,000 lb. / 4.5T to 6.8T
CLOUD 290 SERIES	64,000 lb. (29T)	10HP / 7.5 kw - 208/440v 3 phase 60hz optional. 600v	20', 23', 26', 30', 33', 36' / 6M, 7M, 8M, 9M, 10M & 11M	30" / 762MM	14.2" / 361MM	79" / 2007MM	104" / 2642MM	75	10 to 15,000 lb. / 4.5T to 6.8T
ECL 250 SERIES	55,000 LB. (25T)	10HP / 7.5 kw - 208/440v 3 phase 60hz optional. 600v	20', 23', 26', 30', 33', 36' / 39', 47' / 6M, 7M, 8M, 9M, 10M, 11M, 12M & 14.5M	30" / 762MM	14.2" / 361MM	80.3" / 2040MM	104" / 2642MM	75	14 to 21,000 lb. / 6.4T to 9.6T
ECL 300 SERIES	66,000 LB.(30T)	10HP / 7.5 kw - 208/440v 3 phase 60hz optional. 600v	20', 23', 26', 30', 33', 36' / 39', 47' / 6M, 7M, 8M, 9M, 10M, 11M, 12M & 14.5M	30" / 762MM	14.2" / 361MM	80.3" / 2040MM	104" / 2642MM	75	14 to 21,000 lb. / 6.4T to 9.6T
ECL 350 SERIES	77,000 LB. (35T)	10HP / 7.5 kw - 208/440v 3 phase 60hz optional. 600v	20', 23', 26', 30', 33', 36' / 39', 47' / 6M, 7M, 8M, 9M, 10M, 11M, 12M & 14.5M	30" / 762MM	14.2" / 361MM	80.3" / 2040MM	104" / 2642MM	75	14 to 21,000 lb. / 6.4T to 9.6T
ECL 400 SERIES	88,000 LB.(40T)	10HP / 7.5 kw - 208/440v 3 phase 60hz optional. 600v	20', 23', 26', 30', 33', 36' / 39', 47' / 6M, 7M, 8M, 9M, 10M, 11M, 12M & 14.5M	36" / 914MM	15.2" / 386MM	82.6" / 2100MM	104" / 2642MM	85	18 to 26,000 lb. / 8.2T to 12.7T
ECL 450 SERIES	99,000 LB. (45T)	10HP / 7.5 kw - 208/440v 3 phase 60hz optional. 600v	20', 23', 26', 30', 33', 36' / 39', 47' / 6M, 7M, 8M, 9M, 10M, 11M, 12M & 14.5M	36" / 914MM	15.2" / 386MM	82.6" / 2100MM	104" / 2642MM	85	18 to 26,000 lb. / 8.2T to 12.7T

OPTIONAL ACCESSORIES



Optional Shatterproof LED 24v Runway lighting



NEMA 4 water resistant stainless steel control console

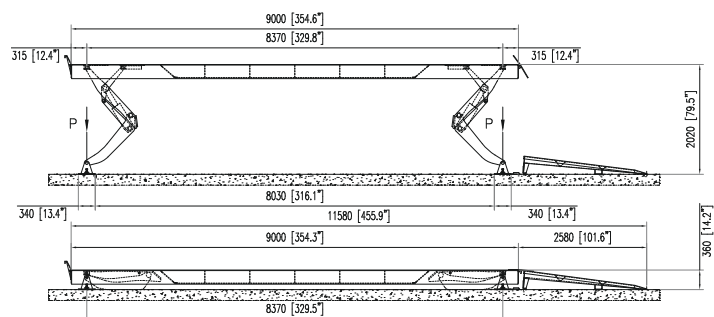


26,400 lb. (12T), 35,200 lb. (16T) & 44,000 lb. (20T) air hydraulic heavy duty jacking beams



Anti-slip runway traction surface

EQUIPMENT FOOTPRINT



CONTACT US NOW

WWW.OMERLIFTUSA.COM OR CALL +1(470) 275-5919

