



Original

# Installation And Service Manual



Portable Mid-rised Lift

Model: **MR06**

# CONTENTS

Product Features and Specifications .....	1
Installation Requirement.....	2
Steps of Installation.....	3
Exploded View.....	10
Operation Instruction.....	17
Maintenance .....	18
Trouble Shooting .....	20
Lift Disposal .....	20

## I. PRODUCT FEATURES AND SPECIFICATIONS

### PORTABLE MID-RISED MODEL MR06

- Manual safety lock: mechanical safety locks release, No need air source.
- High speed: From 0-1090mm (43") in just 21 seconds
- Portable design: It is easy to move the whole lift with the power unit stand
- Adjustable rubber pad included



**Fig.1**

### MODEL MR06 SPECIFICATIONS

Model	Lifting Capacity	Raised Height	Lifting Time	Overall Length	Platform Width	Lowered Height	Motor
MR06	2.8T 6,000 lbs	1090mm 43"	21S	1885mm 74 1/4"	1000mm 39 3/8"	125mm 5"	1.0 HP

## II. INSTALLATION REQUIREMENT

### A. TOOLS REQUIRED

✓ Screw Set



✓ English Spanner (12")



✓ Wrench sets: (13#, 15#, 17#, 19# )



✓ Grease gun



✓ Hook spanner (40~42mm)



✓ Pliers



Fig. 2

### B. POWER SUPPLY

The electrical source must be 2.2kw minimum. The source cable size must be 2.5mm<sup>2</sup> and in good condition of contacting with floor.

### III. INSTALLATION STEPS

#### A. Check the parts before assembly, make sure all the parts are completed.

1. Packaged lift, Parts box, Power Unit and Power Unit Stand.

Move the parts aside, open the outer packing and check the parts according to the shipment parts list (See Fig. 3).

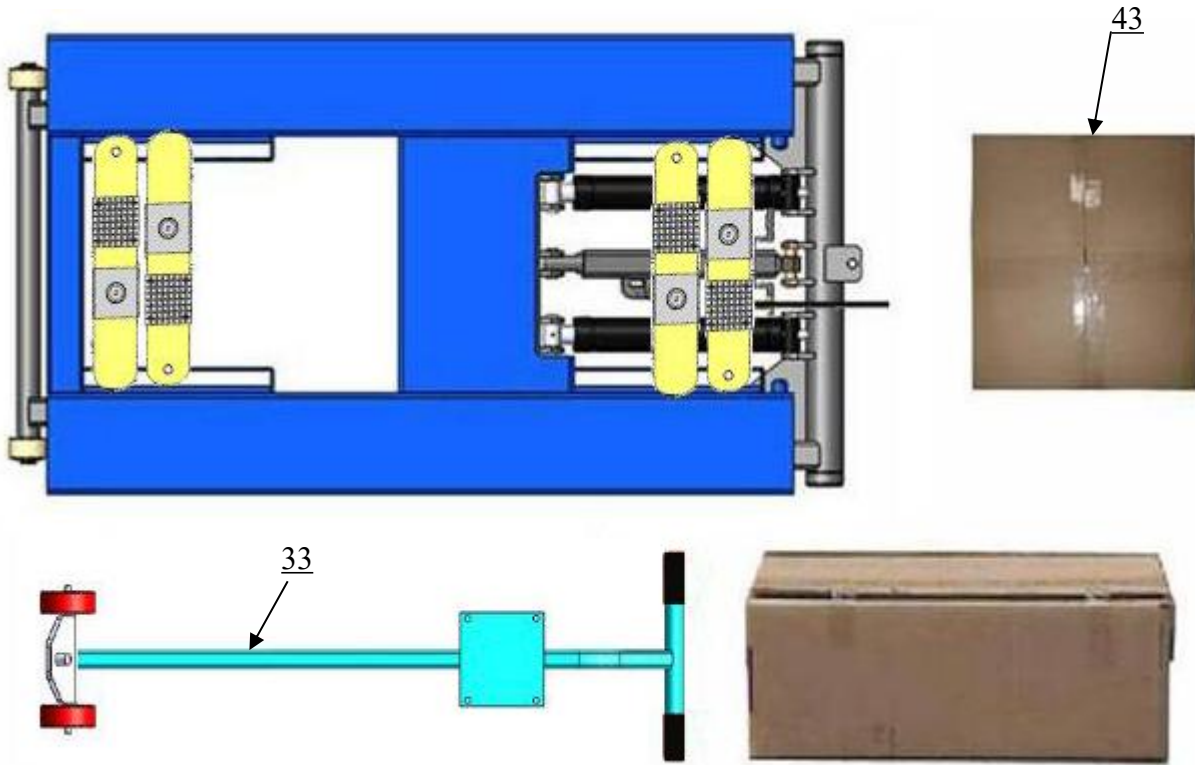


Fig. 3

2. Open the parts box, check the parts according to the part list (See Fig. 4).

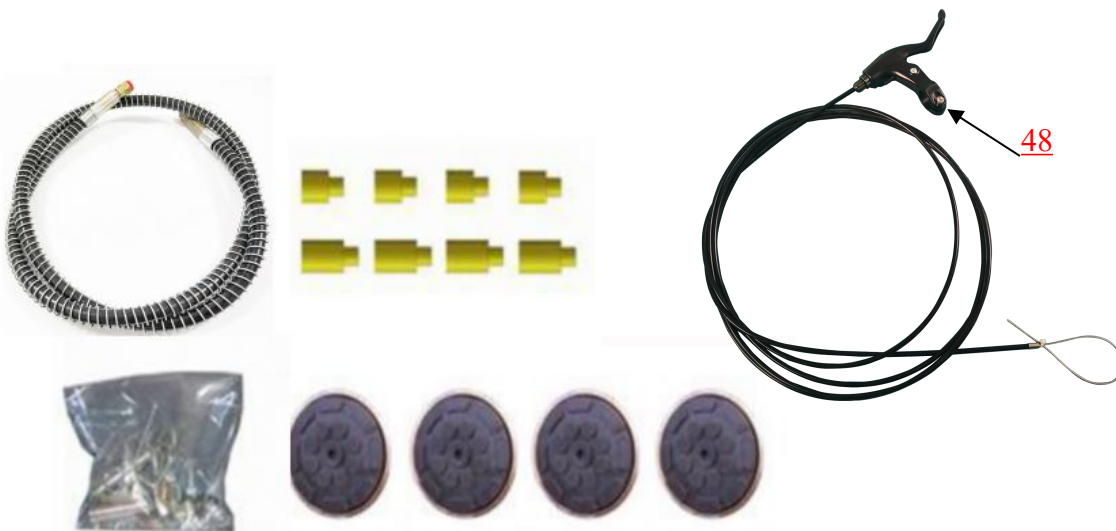


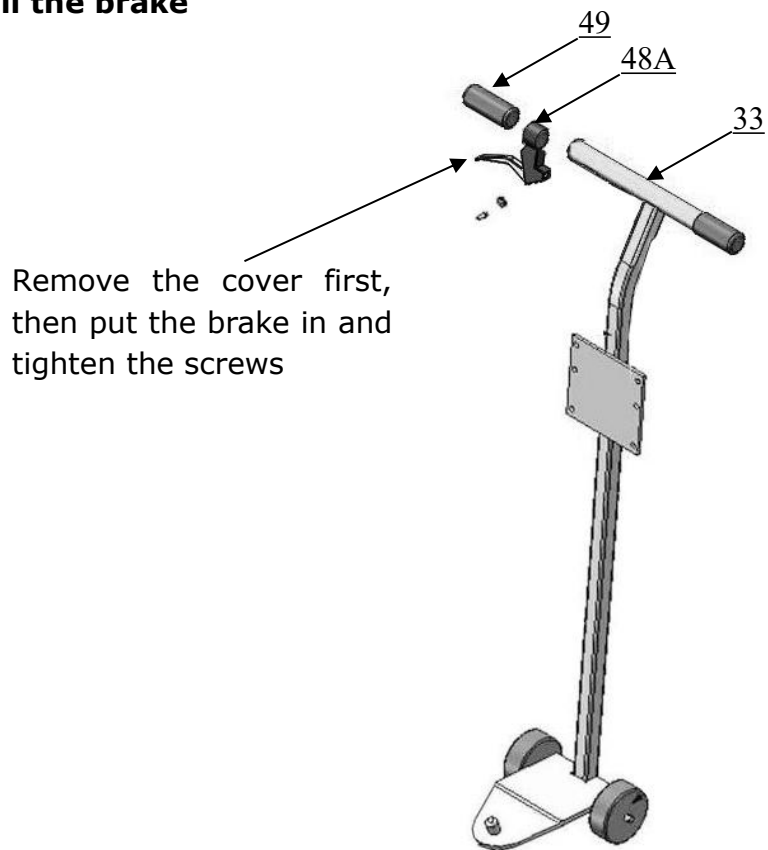
Fig. 4

3. Check the parts of the parts bag according to the parts bag list (**See Fig. 5**).



**Fig.5**

**B. Install the brake**



**Fig.6**

Then Install hydraulic power unit and fitting (See Fig. 7)

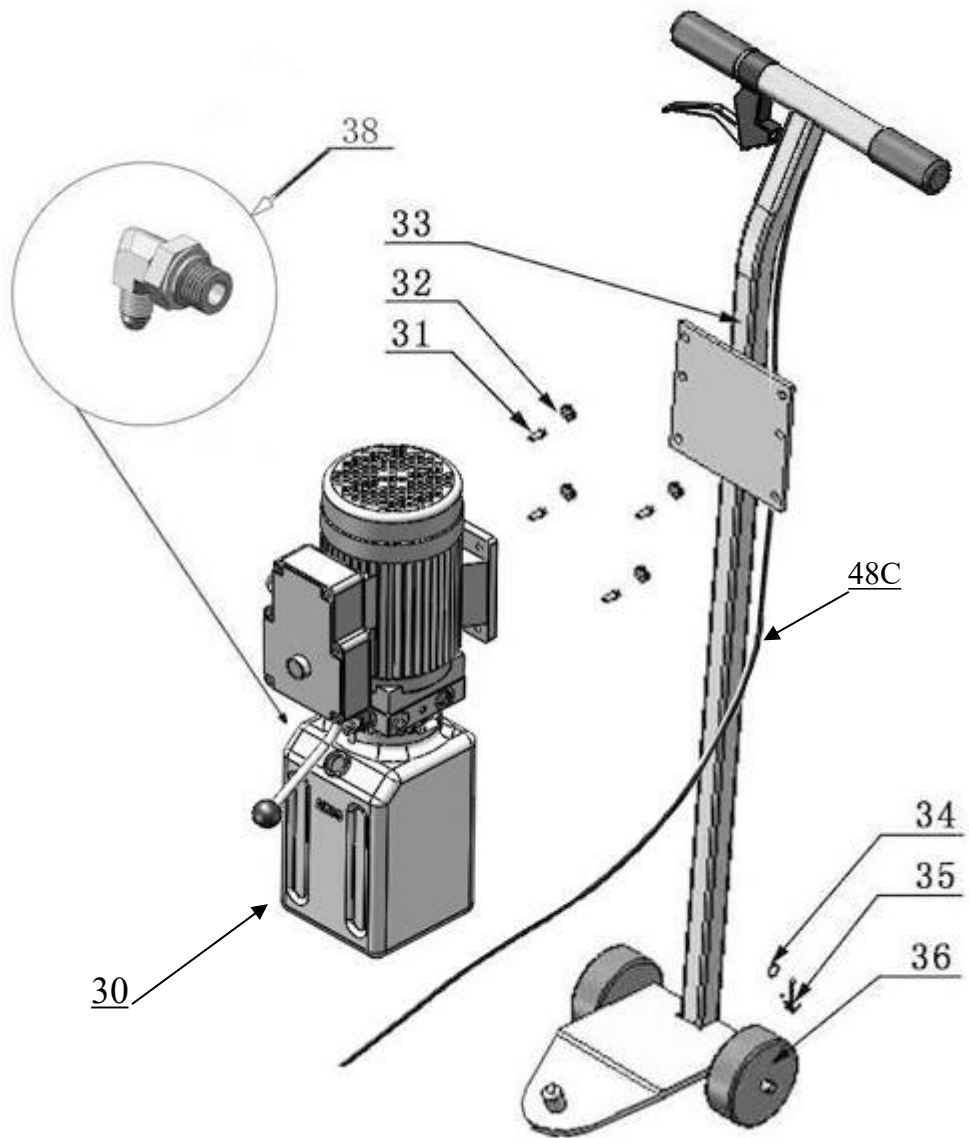
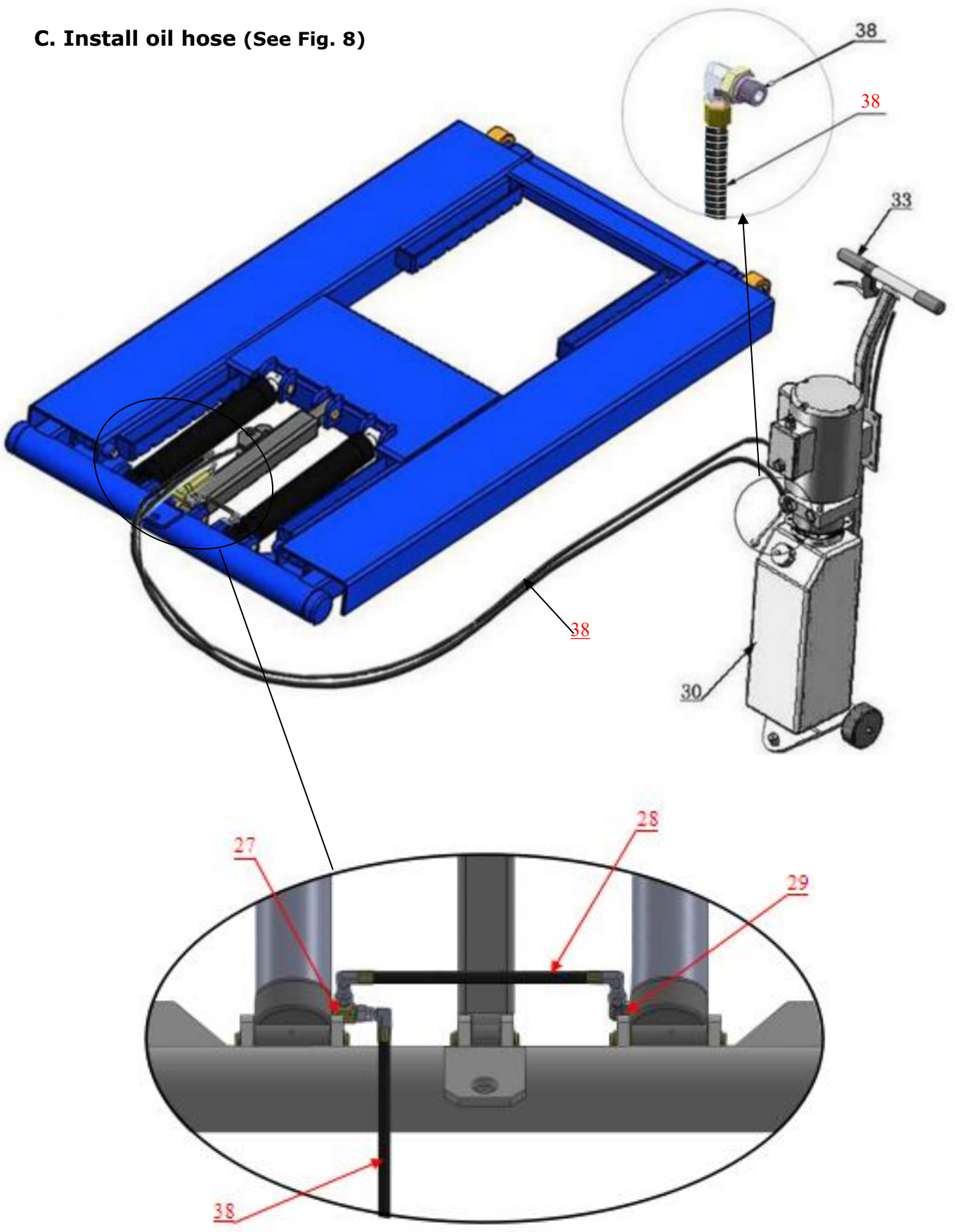


Fig. 7

**C. Install oil hose (See Fig. 8)**



**Fig. 8**



## D. Install safety device and cable

1. Put the safety device parts as Fig.9

The safety stop needs to be 10mm high, and then install wire cable

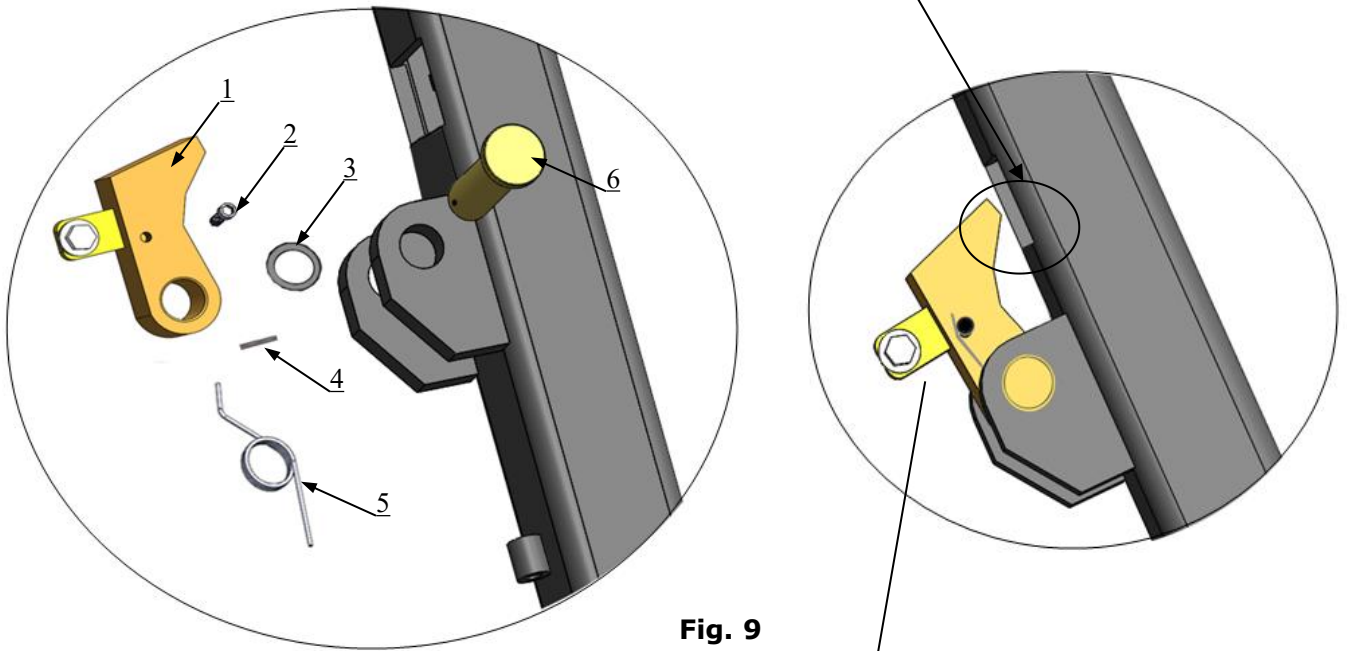


Fig. 9

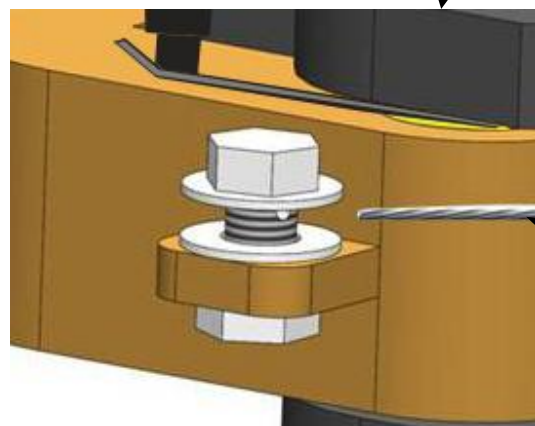


Fig. 10

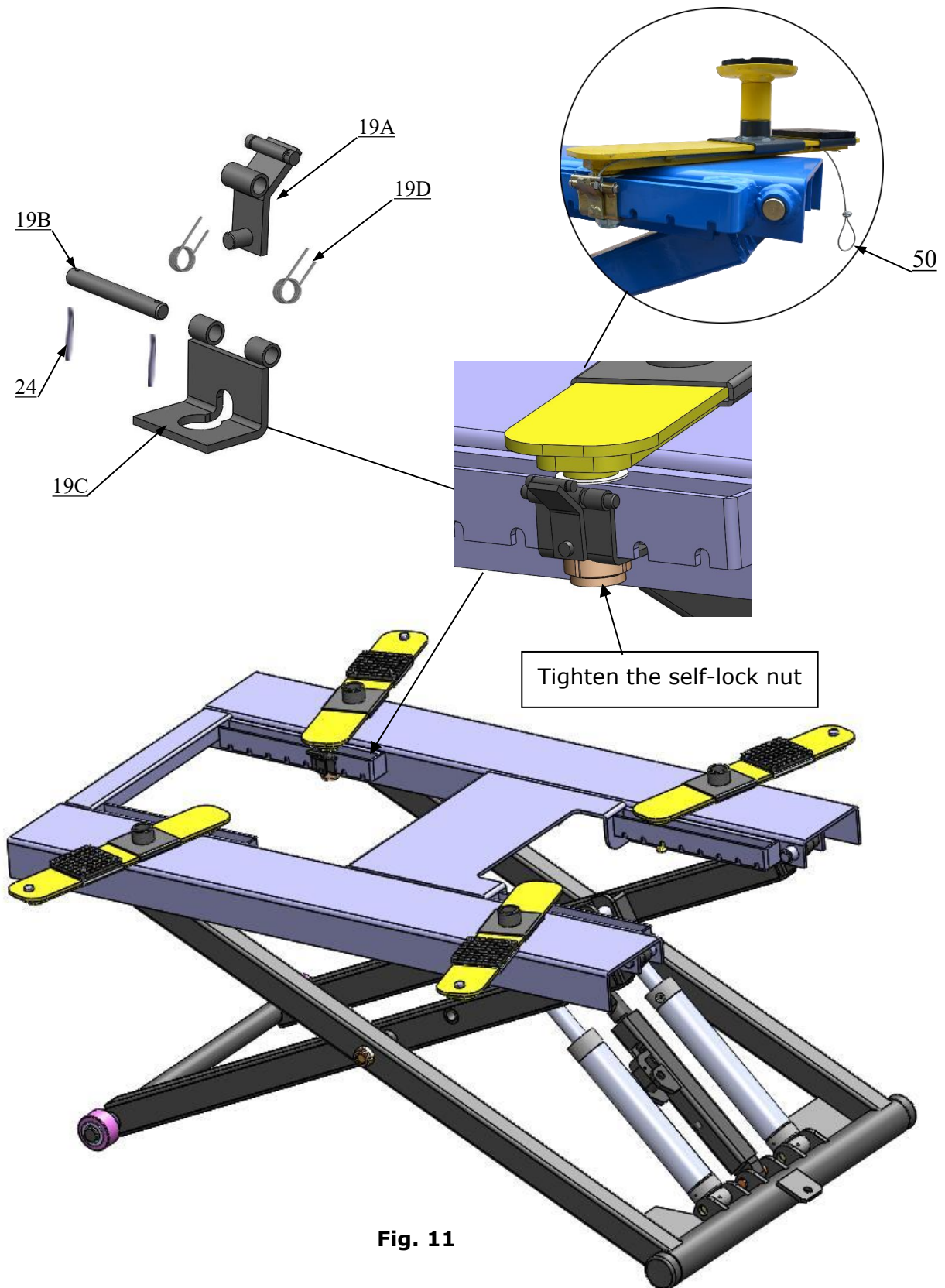
Put the small wire rope into the hole on the screw and then tighten

Item	Part#	Description	QTY	Item	Part#	Description	QTY
1	11640150	Safety stop	1	4	1061K104	Split pin $\phi$ 3*30	1
2	81400438	Hex bolt M5*10	1	5	10640155	Spring $\phi$ 23* $\phi$ 27*2	1
3	10510053	Washer	1	6	11640154	Safety pin	1

### E. Tighten supporting arm

1. Raise the lift up to 1000mm and lock the safety device, then tighten the self-lock nut.

**Make sure the supporting arms not move left/right (See Fig. 11)**



**Fig. 11**

## F Install electric system

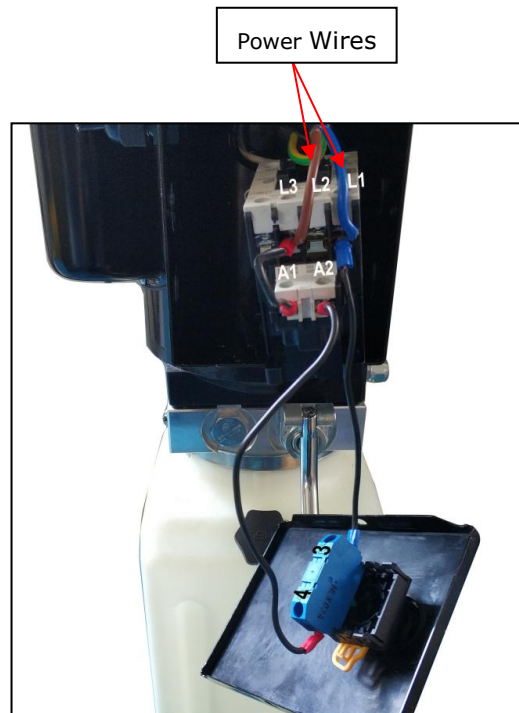
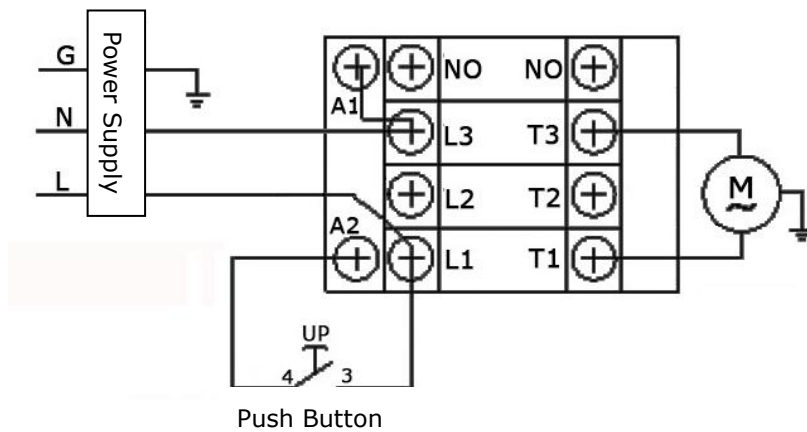
Connect the power source on the data plate of Motor

**Note: 1. For the safety of operators, the power wiring must contact the floor well.**

**2. Pay attention to the direction of rotations when using three phase motors.**

### Single phase motor (See Fig. 12)

1. Connecting the two power supply wires (fire wire **L** and zero wire **N**) to terminals of AC contactor marked **L1, L3**. The ground wire is connected to the ground wire terminal.



**Fig. 12**

# IV. EXPLODED VIEW

## Model MR06

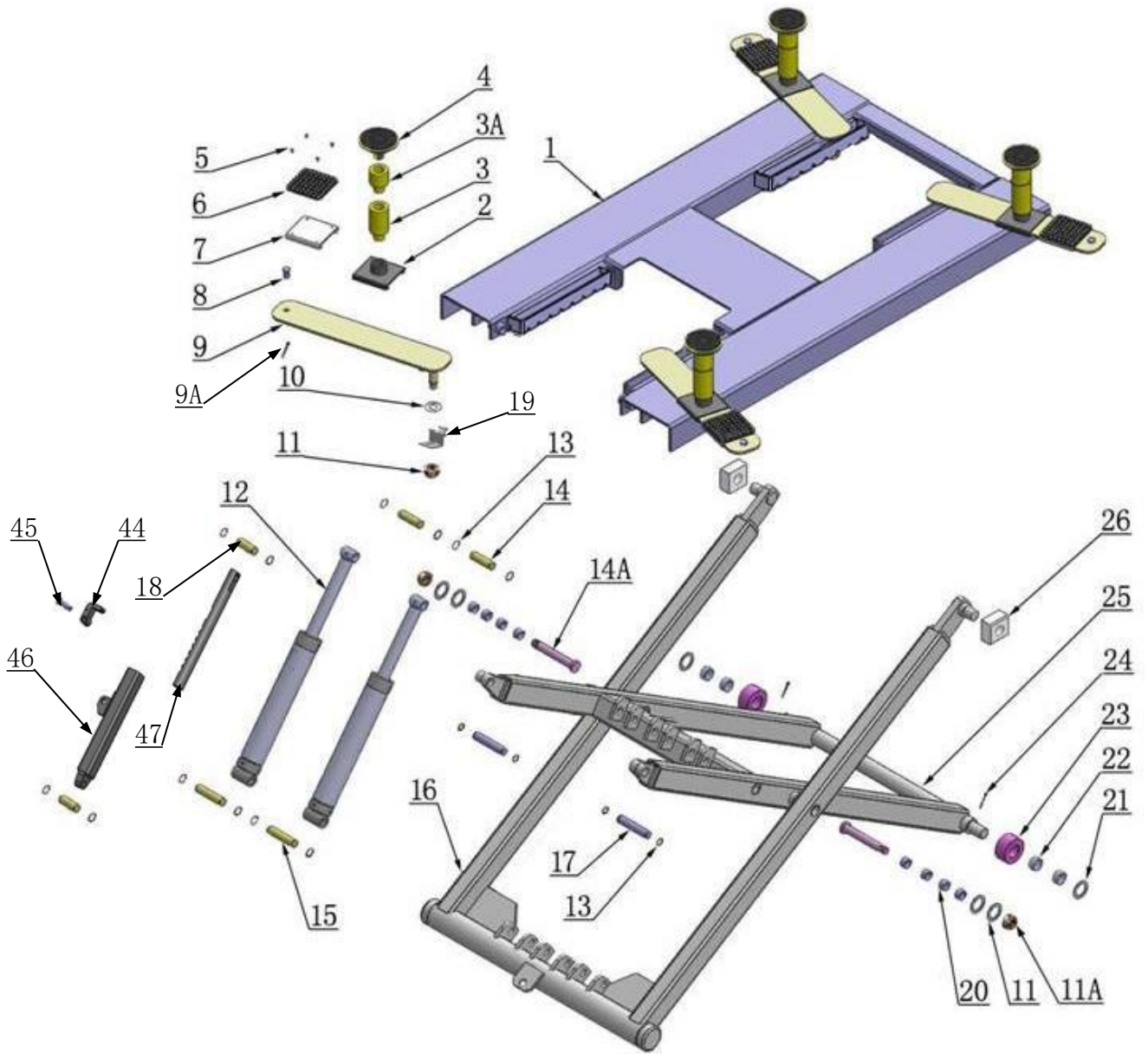


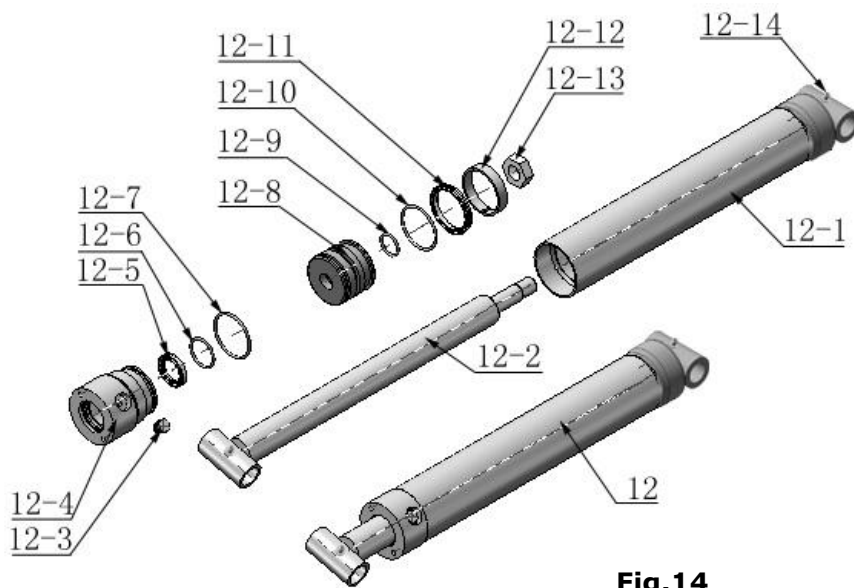
Fig. 13

## PARTS LIST FOR MODEL MR06

Item	Part#	Description	QTY.	Note	
1	11640001	Platform	1		
2	11640002A	Stackable Adapter Bracket	4		
3	11209052B	Stackable Adapter (2.5")	4		
4	11209051B	Stackable Adapter (1.5")	4		
5	10209009	Cup Head Bolt	16		
6	10680004	Rubber Pad	4		
7	10640003	Supporting pad	4		
8	11640023A	Limit pin	4		
9	11640004	Supporting arm	4		
10	10640005	Washer	10		
11	10640109	Washer	4		
11A	10620022	Self-locking Nut	6		
12	10640116	Cylinder	2		
13	10206032	Snap Ring	12		
14	11640057	Pin for Cylinder Connecting	2		
14A	11640012	Pin	2		
15	11640006A	Pin for Cylinder	2		
16	11640017B	Outer Scissor	1		
17	11640009	Inner Scissor Pin	2		
18	11640130	Safety Bar Set	2		
19	19A	11640134	Slide limit block	4	
	19B	11640135	Slide stop	4	
	19C	11640136	Safety Pin	4	
	19D	10640127	Spring	8	
20	10203004A	Bronze Bush	8		
21	10420023A	Washer	2		
22	10420132A	Bronze Bush	4		
23	11640022	Roller	2		
24	10630107	Split Pin	10		
25	11640016B	Inner Scissor	1		
26	10610003A	Slider	2		
27	10209060	Fitting 1/4JIC(M)*1/4JIC(M)*1/4NPT(M)	1		
28	10640114-01	Oil Hose 1/4"*215	1		
29	10420097	90° Fitting 1/4JIC(M)*1/4NPT(M)	1		
30	81513006	Power Unit 220V	1		
	81513019	Power Unit 110V	1		
31	10209003	Hex Bolt	4		
32	10209005	Self Locking Nut	4		
33	10640138	Power Unit Stand	1		
34	10206006	Washer $\phi$ 12	2		

<b>Item</b>	<b>Part#</b>	<b>Description</b>	<b>QTY.</b>	<b>Note</b>
35	10201005	Split Pin	2	
36	1003275021	White Roller	2	
37	10209060	Powr Unit 90 <sup>0</sup> Fitting	1	
38	1003015002	Oil Hose Assy (include spring)	1	
39	10201046A	Rubber Pad Assy.	4	
40	10420138	M6*16 Socket Bolt	4	
41	10209134	Rubber Pad	4	
42	11680030C	Support Frame	4	
43	10640500A	Part Box	1	
44	11640150	Safety Guard	1	
45	11640154	Safety Guard Pin $\phi$ 22*74	1	
46	11640153	Self Locking Support Tube	1	
47	11640699	Self Locking Support Shaft $\phi$ 45*493	1	
48	10640141	Brake Handle Assy (with cable)	1	
48A	10640115	Brake handle	1	
48B	10640156	Safety Cable $\phi$ 1.5*4345mm	1	
48C	10640121	Brake wire pipe $\phi$ 5* $\phi$ 2*4060mm	1	
49	10640126	Brake handle rubber cover	1	
50	10640133	Safety Cable $\phi$ 2.5*810mm	4	

## 1. CYLINDER (10640116)



**Fig.14**

### PARTS FOR HYDRAULIC CYLINDER

Item	Part#	Description	QTY.	Note
12-1	11640657	Bore Weldment	2	
12-2	11640031A	Piston Rod	2	
12-3	10201034	Bleeding Plug	2	
12-4	11203083	Head Cap	2	
12-5	10209078	Dust Ring	2	
12-6	10201032	O - Ring	2	
12-7	10203084	O - Ring	2	
12-8	11203079	Piston	2	
12-9	10206069	O-Ring	2	
12-10	10203082	O-Ring	2	
12-11	10410087	Y-Ring	2	
12-12	10410086	Support Ring	2	
12-13	10206071	Nut	2	
12-14	10620064	Greasing Fitting	4	

## 2. MANUAL POWER UNIT (81513006)

220V/50HZ/1 phase

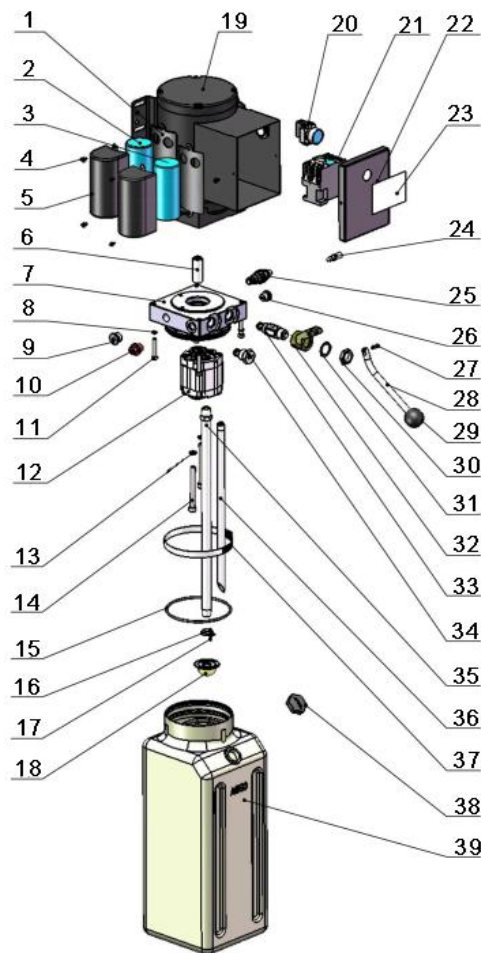


Fig.15

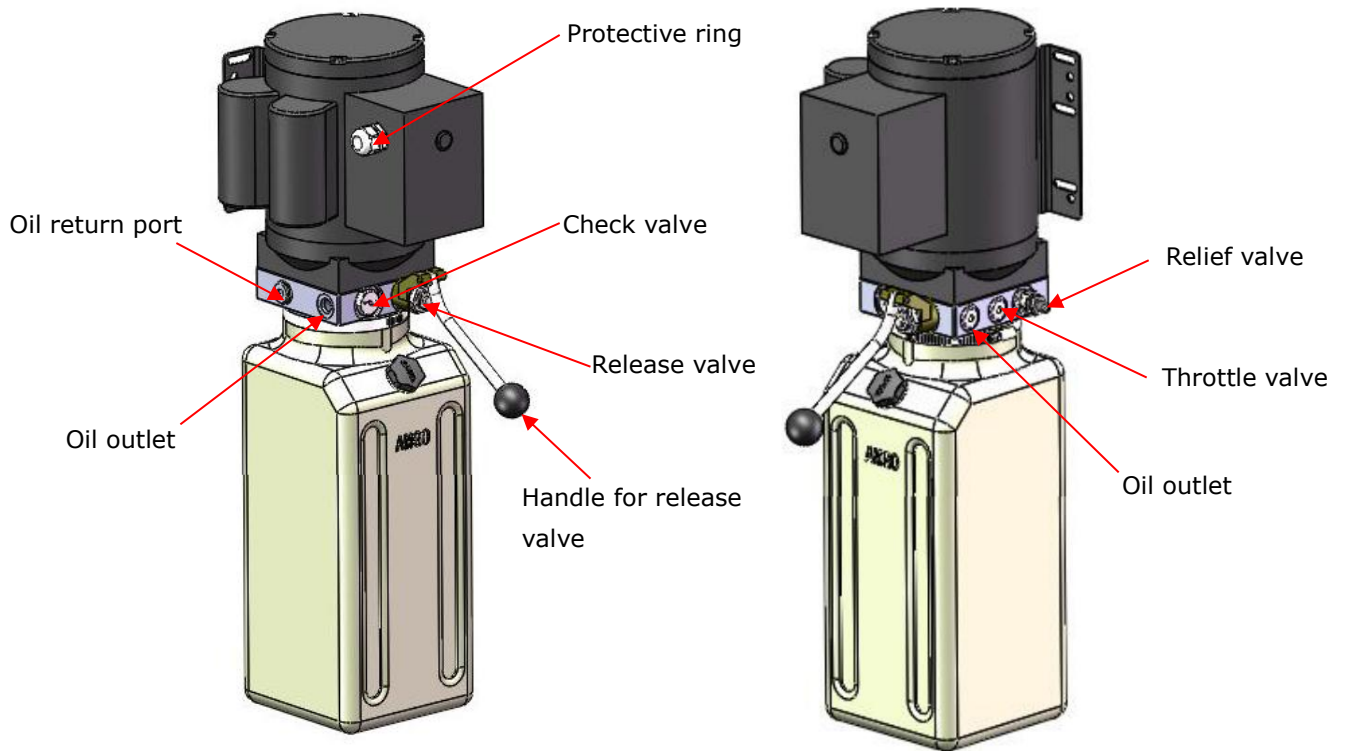
### Parts for Manual power unit

Item	Part#	Description	QTY.	Note
1	81400180	Rubber pad	2	
2	81400250	Start capacitor	1	
3	81400200	Run capacitor	1	
4	10420148	Cup head bolt with washer	4	
5	81400066	Cover for capacitor	2	
6	81400363	Motor connecting shaft	1	
7	80101013	Manifold block	1	
8	10209149	Lock washer	4	
9	81400276	Iron plug	1	
10	81400259	Red rubber plug	1	
11	85090142	Socket bolt	4	
12	81400280	Gear pump	1	
13	10209034	Washer	2	



<b>Item</b>	<b>Part#</b>	<b>Description</b>	<b>QTY.</b>	<b>Note</b>
14	81400295	Socket bolt	2	
15	81400365	O-ring	1	
16	10209152	Belt	1	
17	85090167	Magnet	1	
18	81400290	Filter mesh	1	
19	81400413	Motor	1	
20	10420070	Button switch	1	
21	41030055	AC contactor	1	
22	81400287	Cover of motor terminal box	1	
23	71111216	AMGO label	1	
24	81400560	Throttle valve	1	
25	81400266	Release valve	1	
26	81400284	Iron plug	1	
27	10720118	Hair pin	1	
28	81400451	Handle for release valve	1	
29	10209020	Plastic ball for arm lock	1	
30	81400421	Release valve nut	1	
31	81400422	Release valve shim	1	
32	81400449	Valve seat(Low)	1	
33	81400567	Release valve	1	
34	81400566	Check valve	1	
35	81400375	Oil suction pipe	1	
36	81400376	Oil return pipe	1	
37	81400364	Hose clamp (stainless steel)	1	
38	81400263	Oil tank cap	1	
39	81400320	Oil tank	1	

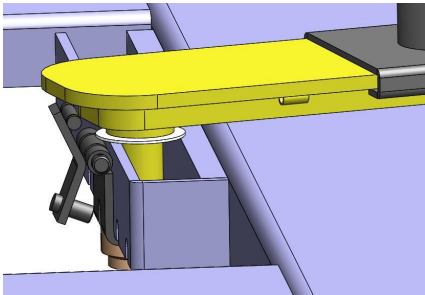
**Manual Power unit 220V 50Hz single phase (See.Fig16)**



**Fig.16**

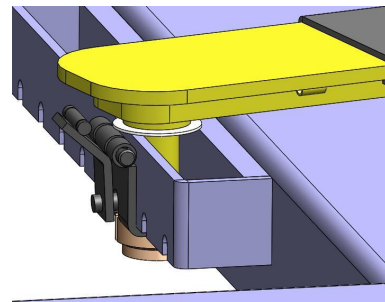
## V. OPERATION INSTRUCTIONS

1. Install the oil hose between oil cylinder and power unit, connect with the power supply wire well. The machine can be ready to use.
2. When lifting vehicle, be sure the center of gravity of vehicle must be in the middle of lift, select the suitable adapters , pull the small cable of the yellow support arms to open the lock ,and move the arms to find the support point. (See Fig.18,19) Make sure the safety lock must be in engaged when lifting (See Fig. 20).
3. Lower the lift: Press the button "UP", until the safety lock is in released position clench the brake handle(See Fig.21,22), lower the lift by pushing lowering handle.



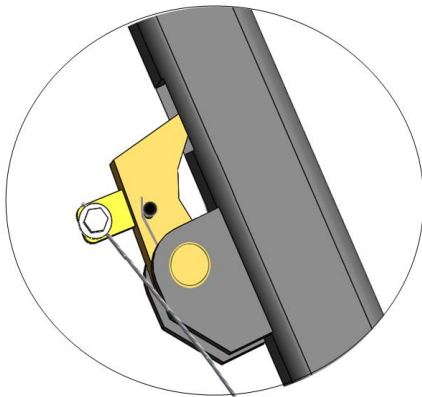
Pull cable to move supporting arm

**Fig. 17**



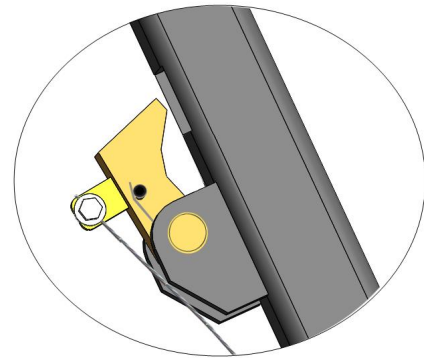
Relax cable to fasten supporting arm

**Fig.18**



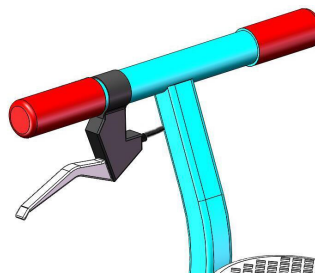
Safety engaged

**Fig.19**



Safety released

**Fig.20**



Clench the brake handle to release

**Fig.21**

4. Move the lift with the power unit stand (See Fig. 22)

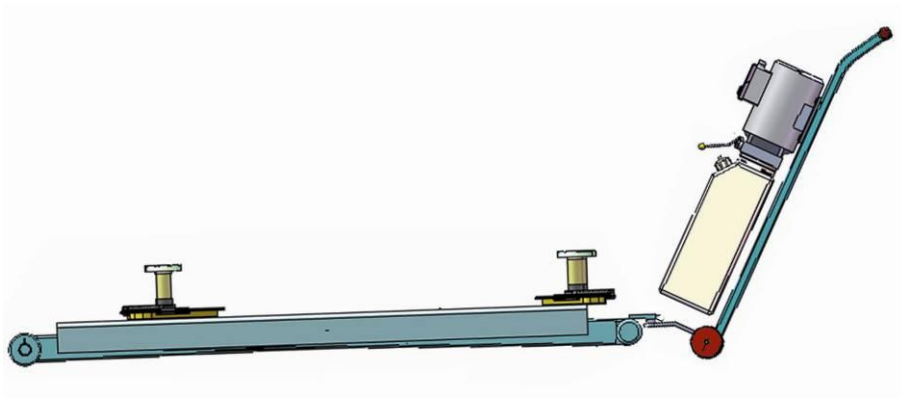


Fig. 22

## VI. MAINTENANCE SCHEDULE

### Monthly:

1. Lubricate all moving parts with lubricant (See Fig.23).

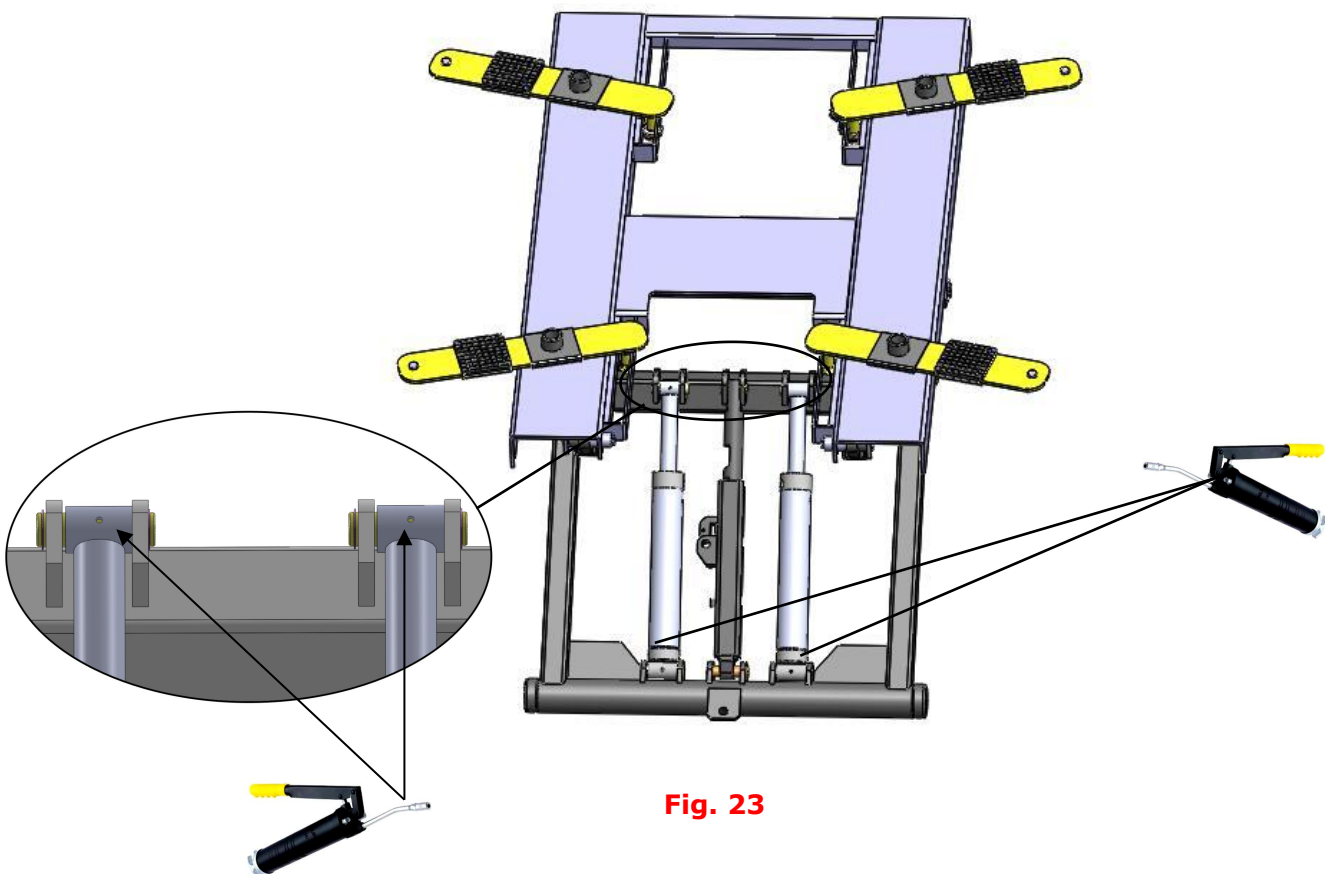


Fig. 23

2. Check all connectors, bolts and pins to insure proper mounting.
3. Make a visual inspection of all hydraulic hoses/lines for possible wear or leakage.

**Every six months:**

1. Make a visual inspection of all moving parts for possible wear, interference or damage.
2. Check all fastener and re-torque.

**Cylinder Maintenance and Maintenance:**

In order to extend the life of the cylinder, please follow the following requirements.

1. Recommended N46 anti-wear hydraulic oil;
- 2, Replace the oil regularly. Replace the first time 3 months after installation,the replace yearly.
- 3, Take at least a full stroke run everyday to bleed out the possible exit air. This operation would effectively avoid the air or water that cause cylinder corrosion and seal kit damage.
- 4, Protect the outer surface of the cylinder piston rod to prevent bumps and scratches, clean up the position of the cylinder dustpower and the debris on the piston rod in time.

## VII. TROUBLE SHOOTING

TROUBLE	CAUSE	REMEDY
Motor does not run	<ol style="list-style-type: none"> <li>1. Button does not work</li> <li>2. Wiring connections are not in good condition</li> <li>3. Motor burned out</li> <li>4. Safety Switch is damaged</li> <li>5. AC contactor burned out</li> </ol>	<ol style="list-style-type: none"> <li>1. Replace button</li> <li>2. Repair all wiring connections</li> <li>3. Repair or replace motor</li> <li>4. Replace the Safety Switch</li> <li>5. Replace AC Contactor</li> </ol>
Motor runs but the lift is not raised	<ol style="list-style-type: none"> <li>1. Motor runs in reverse rotation</li> <li>2. Gear Pump out of operation</li> <li>3. Release Valve in damage</li> <li>4. Relief Valve or Check Valve in damage</li> <li>5. Low oil level</li> <li>6. Overload lifting or low pressure</li> </ol>	<ol style="list-style-type: none"> <li>1.Reverse two power wire</li> <li>2. Repair or replace</li> <li>3. Repair or replace</li> <li>4. Repair or replace</li> <li>5. Fill tank</li> <li>6.Check load or adjust the pressure</li> </ol>
Lift does not stay up	<ol style="list-style-type: none"> <li>1. Release Valve out of work</li> <li>2. Relief Valve or Check Valve leakage</li> <li>3. Cylinder or Fittings leaks</li> </ol>	Repair or replace
Lift raises slowly	<ol style="list-style-type: none"> <li>1. Oil line is jammed</li> <li>2. Motor running on low voltage</li> <li>3. Oil mixed with air</li> <li>4. Gear Pump leaks</li> <li>5. Overload lifting</li> </ol>	<ol style="list-style-type: none"> <li>1. Clean the oil line</li> <li>2. Check Electrical System</li> <li>3. Fill tank</li> <li>4. Repair or replace</li> <li>5. Check load</li> </ol>
Lift cannot lower	<ol style="list-style-type: none"> <li>1. Safety device are in activated</li> <li>2. Release Valve in damage</li> <li>3. Oil system is jammed</li> </ol>	<ol style="list-style-type: none"> <li>1. Release the safeties</li> <li>2. Repair or replace</li> <li>3. Clean the oil system</li> </ol>

## VIII. Lift disposal.

When the car lift cannot meet the requirements for normal use and needs to be disposed, it should follow local laws and regulations.



## **PEAK CORPORATION**

No. 3 Luomu Road, Shishan Town, Nanhai District, Foshan(528225), Guangdong, China

Tel: 86-757-81102815 8112805

Fax: 86-757-81102809

Email: [peak@peaklift.cn](mailto:peak@peaklift.cn)      <http://www.peaklift.cn>

Manual Part No.: 72206408

Revision Date: 2022/03