

ATV / Motorcycle Lift

Installation and Operation Manual

Manual P/N 5900183 — Manual Revision E — February 2020

Model:

- RML-1500XL



Designed and engineered by BendPak Inc. in Southern California, USA. Made in China.

DANGER

Read the **entire** contents of this manual **before** using this product. Failure to follow the instructions and safety precautions in this manual can result in serious injury or death. Make sure all other operators also read this manual. Keep the manual near the product for future reference. **By proceeding with installation and operation, you agree that you fully understand the contents of this manual and assume full responsibility for product use.**

Manual. RML-1500XL ATV/Motorcycle Lift, *Installation and Operation Manual*, Manual P/N 5900183, Manual Revision E, released February 2020.

Copyright. Copyright © 2020 by BendPak Inc. All rights reserved. You may make copies of this document if you agree that: you will give full attribution to BendPak Inc., you will not make changes to the content, you do not gain any rights to this content, and you will not use the copies for commercial purposes.

Trademarks. BendPak, the BendPak logo, Ranger, and the Ranger logo are registered trademarks of BendPak Inc. All other company, product, and service names are used for identification only. All trademarks and registered trademarks mentioned in this manual are the property of their respective owners.

Limitations. Every effort has been made to have complete and accurate instructions in this manual. However, product updates, revisions, and/or changes may have occurred since this manual was published. BendPak Ranger reserves the right to change any information in this manual without incurring any obligation for equipment previously or subsequently sold. BendPak Ranger is not responsible for typographical errors in this manual. You can always find the latest version of the [manual for your product on the Ranger website](#).

Warranty. The BendPak Ranger warranty is more than a commitment to you: it is also a commitment to the value of your new product. For full warranty details, contact your nearest BendPak Ranger dealer or visit bendpak.com/support/warranty.

Safety. Your product was designed and manufactured with safety in mind. However, your safety also depends on proper training and mindful operation. Do not install, operate, maintain, or repair the unit without reading and understanding this manual and the labels on it. ***Do not use this product unless you can do so safely!***

Registration. Go to bendpak.com/support/register-your-product/ and fill out the online form to register your product (be sure to click **Submit**).

Owner Responsibility. In order to maintain your product properly and to ensure operator safety, it is the responsibility of the product owner to ***read and follow these instructions***:

- Follow all installation, operation, and maintenance instructions.
- Make sure product installation conforms to all applicable local, state, and federal codes, rules, and regulations, such as state and federal OSHA regulations and electrical codes.
- Read and follow all safety instructions. Keep them readily available for operators.
- Make sure all operators are trained, know how to safely operate the unit, and are properly supervised.
- Do not operate the product until you are certain all parts are in place and operating correctly.
- Carefully inspect the product on a regular basis and perform all maintenance as required.
- Service and maintain the unit only with approved replacement parts.
- Keep the manual with the product and make sure all labels are clean and visible.
- ***Only use this product if it can be used safely!***

Table of Contents


Introduction	3	Operation	18
Shipping Information	4	Maintenance	22
Safety Considerations	4	Troubleshooting	23
Components	6	Labels	24
FAQ	8	Parts Drawings	25
Specifications	9	Maintenance Log	27
Installation	10		

Introduction

This manual describes the RML-1500XL ATV/Motorcycle Lift from BendPak Ranger, which lets you raise a Motorcycle or ATV of up to 1,500 pounds / 680 kg high off the ground.

More information about the full line of BendPak Ranger products is available online at rangerproducts.com.

This manual is mandatory reading for all users of the RML-1500XL, including anyone who installs, operates, maintains, or repairs it.

 DANGER Be very careful when installing, operating, maintaining, or repairing this equipment; failure to do so could result in property damage, product damage, injury, or (in very rare cases) death. Make sure only authorized personnel operate this equipment. All repairs must be performed by an authorized technician. Do not make modifications to the unit; this voids the warranty and increases the chances of injury or property damage. Make sure to read and follow the instructions on the labels on the unit.

Keep this manual on or near the equipment so that anyone who uses or services it can read it.

Technical support and service for your product is available directly from your distributor, by emailing support@bendpak.com, or by calling **BendPak Ranger at (805) 933-9970**.

You may also contact BendPak Ranger for consultation on parts replacement (please have the serial number and model number of your unit available).

Shipping Information

Your equipment was carefully checked before shipping. Nevertheless, you should thoroughly inspect the shipment **before** you sign to acknowledge that you received it.

When you sign the bill of lading, it tells the carrier that the items on the invoice were received in good condition. **Do not sign the bill of lading until after you have inspected the shipment.** If any of the items listed on the bill of lading are missing or damaged, do not accept the shipment until the carrier makes a notation on the bill of lading that lists the missing or damaged goods.

If you discover missing or damaged goods **after** you receive the shipment and have signed the bill of lading, notify the carrier at once and request the carrier to make an inspection. If the carrier will not make an inspection, prepare a signed statement to the effect that you have notified the carrier (on a specific date) and that the carrier has failed to comply with your request.

It is difficult to collect for loss or damage after you have given the carrier a signed bill of lading. If this happens to you, file a claim with the carrier promptly. Support your claim with copies of the bill of lading, freight bill, invoice, and photographs, if available. Our willingness to assist in helping you process your claim does not make us responsible for collection of claims or replacement of lost or damaged materials.

Safety Considerations

Read this manual carefully before using your product. Do not install or operate the product until you are familiar with **all** operating instructions and warnings. Do not allow anyone else to operate the product until they are also familiar with all operating instructions and warnings.

Safety Information


Please note the following:


- The product is an ATV/Motorcycle Lift. **Use it only for its intended purpose.**
- The product should only be operated by trained, authorized, and supervised personnel. Keep children and untrained personnel at least 30 feet away from the unit while it is in use.
- You **must** wear OSHA-approved (publication 3151) Personal Protective Equipment at all times when installing, using, maintaining, or repairing the Lift. Leather gloves, steel-toed work boots, ANSI-approved eye protection, back belts, and hearing protection **are mandatory.**
- When the product is in use, keep all body parts away from it.
- Make sure loads are always centered, balanced, and secured on the Platform **before** working on the load or raising or lowering the Lift.
- Do not put more than 1,500 pounds / 680 kg on the Lift.
- Do not step on the Lift when it is on the ground or climb onto it when it is raised. Only put a Motorcycle or an ATV onto the Platform.
- Do not leave the Lift until it is either engaged on a Safety Lock or fully lowered to the ground.
- Do not use the product while tired or under the influence of drugs, alcohol, or medication.


-
- Do not make any modifications to the product.
 - The Air/Hydraulic Pump is a tripping hazard if you keep it on the ground. Make sure everyone who uses the Lift or works near it is aware of the location of the Pump.
 - Before lowering the Lift, check underneath to make sure there are no people or equipment under it. There must not be anything under it that would interfere with normal use.
 - Use the product indoors on a flat, concrete floor.
 - Never exceed the rated capacity of the Lift or psi of the pneumatic hose.
 - Make sure all operators read and understand the *Installation and Operation Manual*. Keep the manual near the device at all times.
 - Make a visual inspection of the product before using it each time. Do not use the product if you find any missing or damaged parts. Instead, take the unit out of service, then contact an authorized repair facility, your distributor, or BendPak Ranger by phone at **(805) 933-9970** or by email at support@bendpak.com.
 - BendPak Ranger recommends making a **thorough** inspection of the product at least once a year. Replace any damaged or severely worn parts, decals, or warning labels.

Symbols

Following are the symbols used in this manual:

 **DANGER** Calls attention to a hazard that **will** result in death or injury.

 **WARNING** Calls attention to a hazard or unsafe practice that **could** result in death or injury.

 **CAUTION** Calls attention to a hazard or unsafe practice that could result in personal injury, product damage, or property damage.

NOTICE Calls attention to a situation that, if not avoided, could result in product or property damage.



Tip Calls attention to information that can help you use your product better.

Liability Information

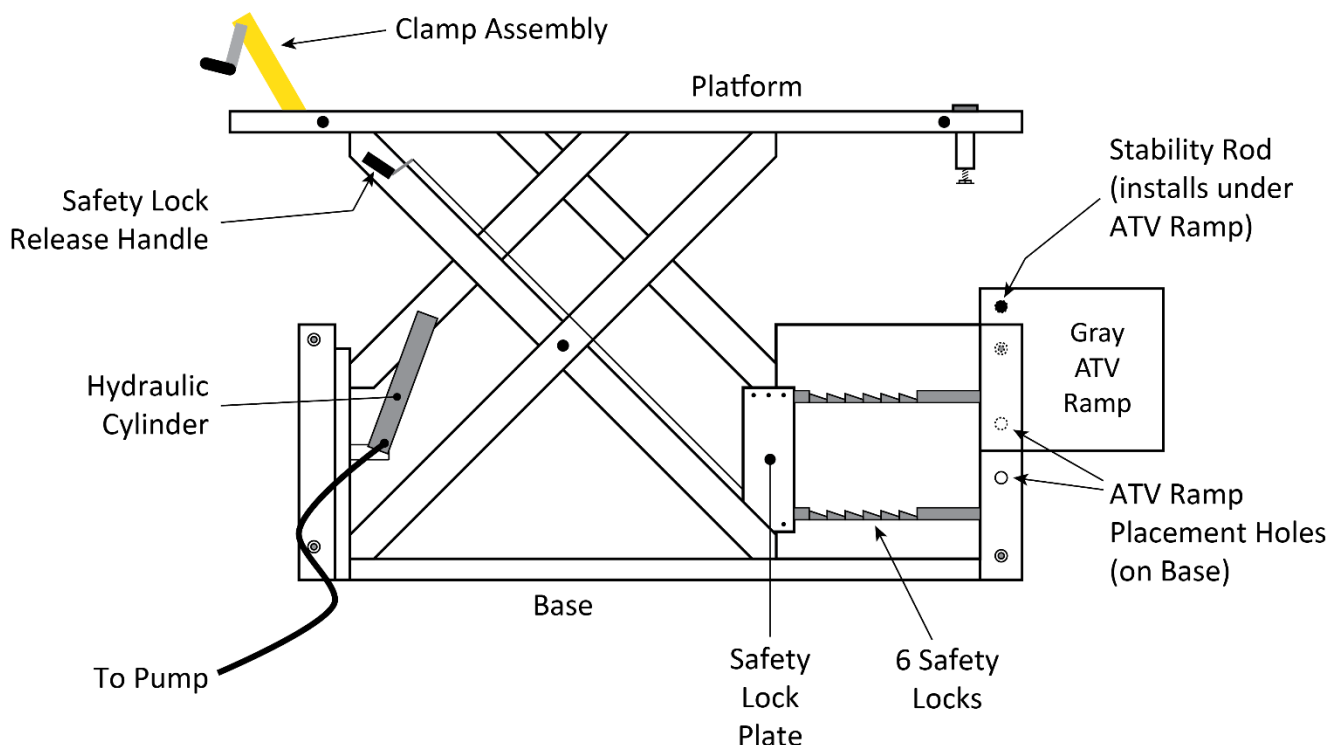
BendPak Ranger assumes **no** liability for damages resulting from:

- Use of the equipment for purposes other than those described in this manual.
- Modifications to the equipment without prior, written permission from BendPak Ranger.
- Injury or death caused by modifying, disabling, overriding, or removing safety features.
- Damage to the equipment from external influences.
- Incorrect operation of the equipment.

Components

The main components of the RML-1500XL ATV/Motorcycle Lift are:

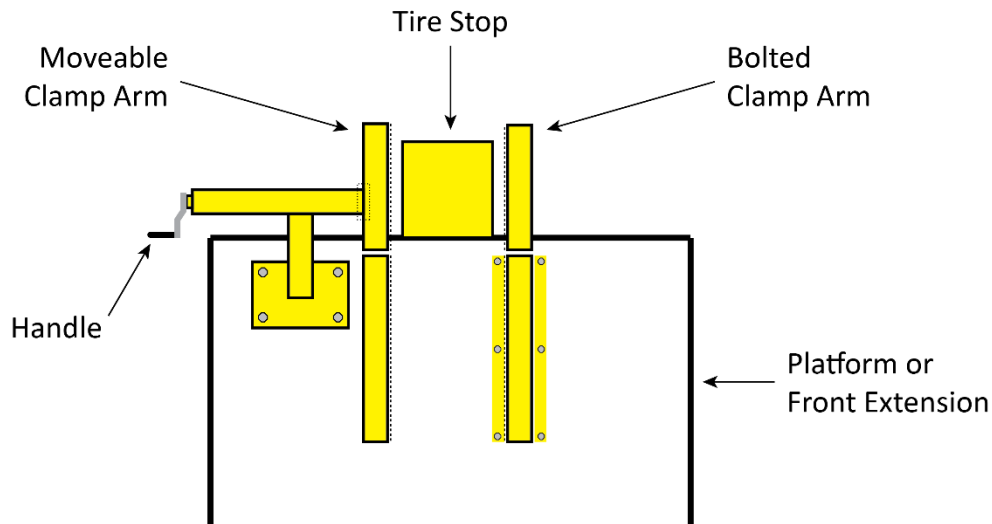
- **Platform.** The flat section on which you put the ATV or Motorcycle. Includes the Clamp Assembly (for clamping the front tire). The Platform is used standalone in Motorcycle Mode or with the Front and Side Extensions installed in ATV Mode.
- **Side Extensions.** Optional. Make the Platform *wider*. Used in ATV Mode.
- **Front Extension.** Optional. Makes the Platform *longer*. Used in ATV Mode.
- **Base.** The bottom section of the Lift. It includes the Adjustment Rods, the Safety Lock Plate, the Safety Locks, and the Ramps.
- **Safety Lock Release Handle.** Controls the location of the Safety Lock Plate. When in the Lock position, lowering the Lift engages the Lift on a Safety Lock. When in the Release position, lowering the Lift moves the Lift all the way to the ground.
- **Safety Locks.** Hold the Lift in position at the desired height *once engaged*.
- **Safety Lock Plate.** The part of the Lift that engages on the Safety Locks.
- **Placement Holes.** Where the ATV Ramps (in ATV Mode) or the Motorcycle Ramp (in Motorcycle Mode) connect to the Base of the Lift.
- **Hydraulic Cylinder.** Raises and Lowers the Platform using hydraulic energy from the Pump.



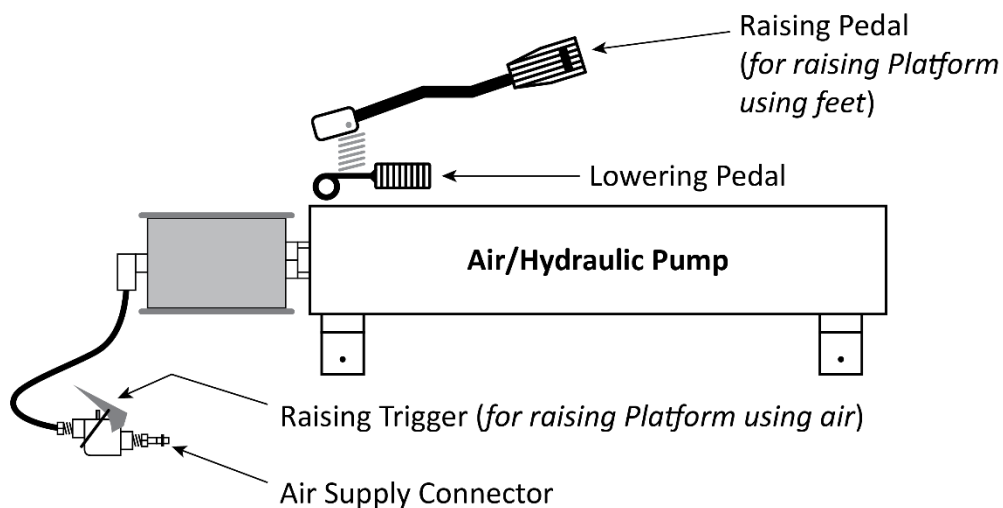
Not to scale. Mixes side and top views. Front Extension not installed.

- **ATV Ramps.** Two square gray ramps, wide enough (when both are installed) to accommodate ATVs. Used in ATV Mode only.

- **Motorcycle Ramp.** One long yellow ramp; wide enough to use for *motorcycles only* when used in Motorcycle Mode. Can also be used on top of the two gray ATV Ramps in ATV Mode.
- **Stability Rods.** Two long steel pieces with threads on one end. They connect to the underside of an ATV Ramp, providing stability for the ATV Ramps. Used in ATV Mode only.
- **Adjustment Rods.** Two on each end of the Lift. When turned, the Casters on the underside of the Lift (which are hidden during normal operation) move down, allowing you to move the Lift.
- **Hole with Caster Adjustment Rod.** Located on the Ramp end of the Lift; provides access to the top of the Adjustment Rod.
- **Clamp Assembly.** Opens and closes to let you securely hold the front tire of the vehicle on the Platform. Can be bolted to the Platform (Motorcycle Mode) or to the Front Extension (ATV Mode).



- **Air/Hydraulic Pump.** Uses pneumatic (air) power to provide hydraulic power to raise the Lift. If you have a pressurized air supply available (90 to 160 psi), you can connect it to the Pump to raise the Lift. If you do not have an air supply, you can use the Raising Pedal.



- **Adjustable Legs.** Located under the Ramp end of the Lift, they allow you to adjust how far down the Platform comes. What you want is for the top of the Ramps and the top of the Platform to be level with each other.

-
- **Tie-Down Poles.** Tall poles on the Ramp end of the Lift that give you options for securing the Motorcycle or ATV on the Platform. You are not required to use them.
 - **Connecting Rods.** Three long Rods that connect the Side Extensions and the Front Extension to the Platform. Used in ATV Mode. Each Connecting Rod has a Lock Bolt on each end (to prevent the Connecting Rod from slipping out) and a Cotter Pin for each Lock Bolt (to keep the Lock Bolt from coming out).

Frequently Asked Questions

Question: How much weight can the RML-1500XL raise?

Answer: The RML-1500XL can raise ATVs or Motorcycles up to 1,500 pounds (680 kg).

Q: What if I want to raise an ATV or Motorcycle that is slightly **over** the weight capacity?

A: **Do not do this!** This is **not** an intended use of the product; you could damage the Lift and injure bystanders. You must **not** raise any loads that are heavier than the rated capacity of the Lift.

Q: How far off the ground will the RML-1500XL raise my Vehicle?

A: It depends on which Safety Lock you engage on. The RML-1500XL has six Safety Lock positions, so you can raise your vehicle anywhere from 24 in / 610 mm to 41 in / 1,041 mm off the ground, whichever height is the right height for the work you are doing.

Q: Can the RML-1500XL be installed or used outside?

A: Yes. That being said, an outside environment is harder on the Lift. Our recommendation is to use the Lift inside. If you have to use it outside, we recommend storing it inside, moving it outside while you are using it, then moving it back inside when not in use. Keep the Lift clean and dry as much as possible, especially the Air/Hydraulic Pump.

Q: Can I put the Air/Hydraulic Pump on either side of the Lift?

A: Yes. The Air/Hydraulic Pump can be located on either side, as far away as the Hose allows.

Q: What do Safety Locks do?

A: Safety Locks use gravity to hold the Platform up, once the Lift is **engaged** on a Safety Lock. Even if the Lift loses power, the Platform stays where it is if you **engaged** on a Safety Lock. *When you raise a Vehicle, make sure to engage the Lift on a Safety Lock.*

Q: Which end of the Lift is the “front”?

A: The end with the Clamp Assembly. The other end, the rear, has the Ramps.

Q: Anything else I should be aware of?

A: Be careful around the Lift. Be safe. Do not ride the vehicle onto it. Do not let people sit on a vehicle while it is on the Lift. Pay attention and use common sense, and the Lift will be a long-lasting, useful tool.

Specifications

Lifting Capacity	1,500 lbs. / 680 kg
Power Supply (Pump)	Air / Hydraulic
Platform Length	79.5" / 2,019 mm
Platform Length w/ Extension	99.75" / 2,534 mm
Platform Width	29.5" / 749 mm
Overall Width with Side Decks	51" / 1,295 mm
Overall Length w/ Extension and Ramp	134.75" / 3,422 mm
Lowered Height	7.75" / 197 mm
Platform Height – 1st Lock Position	24" / 610 mm
Platform Height – 2nd Lock Position	28.75" / 730 mm
Platform Height – 3rd Lock Position	32.5" / 825 mm
Platform Height – 4th Lock Position	36" / 902 mm
Platform Height – 5th Lock Position	38.5" / 978 mm
Platform Height – 6th Lock Position	41" / 1,041 mm
Air Supply	90 to 160 psi

Specifications subject to change without notice.

Installation

This section describes how to prepare your ATV/Motorcycle Lift for normal operation. Perform the tasks in the order listed.

Installation Safety Rules

Pay attention at all times during installation. Use appropriate tools and equipment. Stay clear of moving parts. Keep hands and fingers away from pinch points. **Safety is a top priority.**

Use caution when unpacking the Lift. The unit is heavy and the weight is not evenly distributed; dropping or knocking over components could cause equipment damage and personal injury.

⚠ WARNING You **must** wear OSHA-approved (publication 3151) Personal Protective Equipment at all times when installing, using, maintaining, or repairing the Lift. Leather gloves, steel-toed work boots, ANSI-approved eye protection, back belts, and hearing protection **are mandatory.**

Only experienced, trained technicians are allowed to install the Lift.

⚠ CAUTION Certain parts of installing the Lift are difficult for just one person. We strongly recommend having two or more persons work together to install the Lift.

Get the Right Tools

You may need some or all of the following tools:

- Wrench Set
- Socket and Ratchet Set
- Hex Key Set
- Forklift or Shop Crane, with Strap

Finding a Location

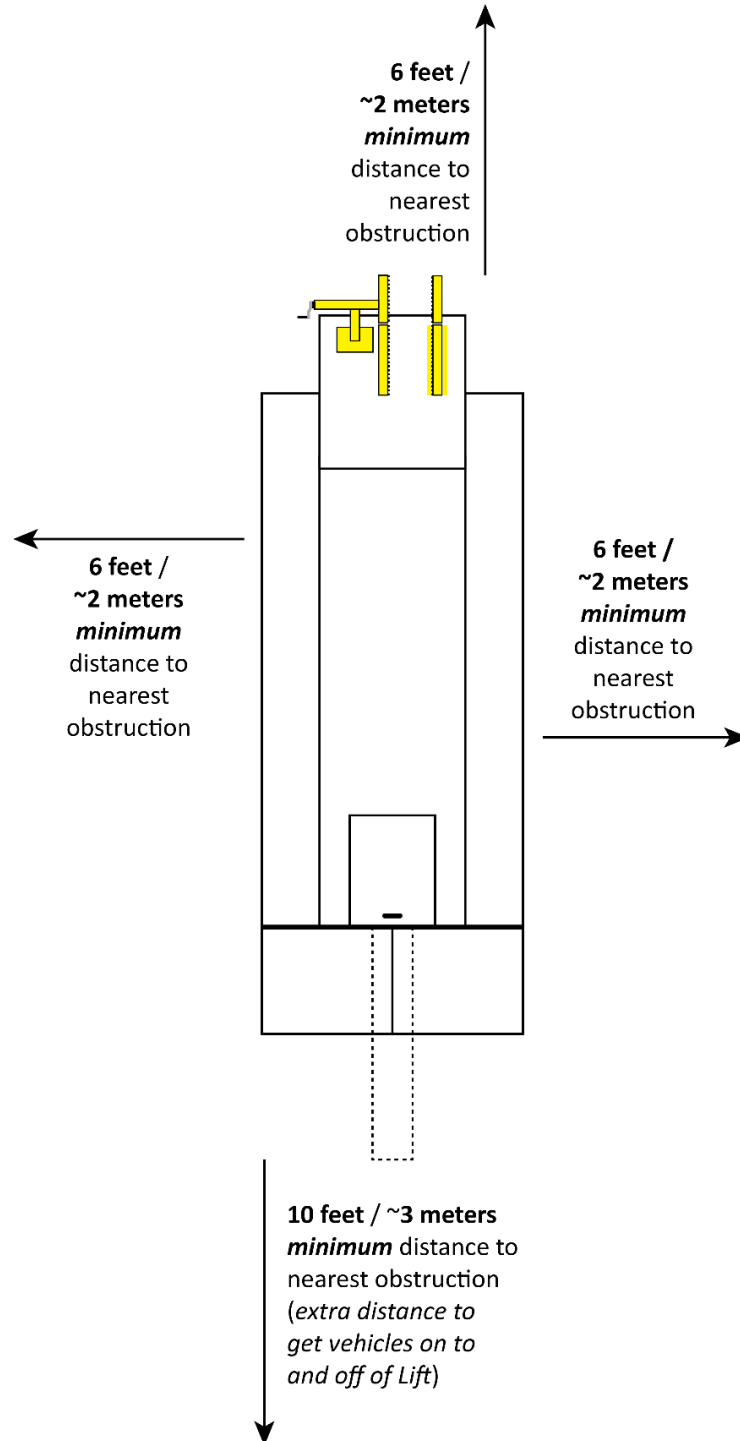
Keep the following in mind when deciding on a location:

- **Air Supply.** If you are going to use an Air Supply (90 to 160 psi) to raise and lower the Lift, you need to locate the Lift so that the Air Supply can connect to the Pump. Your Air Supply must **not** exceed 160 psi; if it does, you could damage the Lift and put bystanders in danger.
- **Floor.** The Lift is best used on a flat, Concrete floor. **Do not** install or use on asphalt or wood surfaces. **Do not** install or use on a floor with 3 degrees of slope or more.
- **Movement.** Your Lift has built-in Casters you can use to move the Lift to different locations.
- **Accessibility.** You need space at the Ramp end to move vehicles on to and off of the Lift.
- **Danger.** When the Lift is in use, keep everyone away from it. Only the operator should be within 30 feet / 10 meters of the Lift during use. **Do not** set up the Lift in a well-travelled area.

Clearances

The drawing below shows the amount of space around the Lift to **operate** it effectively.

⚠ WARNING For safety purposes, only the operator should be within 30 feet /10 meters of the Lift during use.



*Not necessarily to scale. Not all components shown. BendPak Ranger recommends leaving an additional 12 inches / 305 mm of open space **above** the top of the Tie-Down Poles.*

Unpack the Components

Use caution when unpacking Lift components. You do not want to damage or misplace anything.



Tip Consider unpacking the components in the area where you are going to set up the Lift. The fewer times you move the components, the fewer opportunities there are for them to get lost, get damaged, or damage the surface they are on.

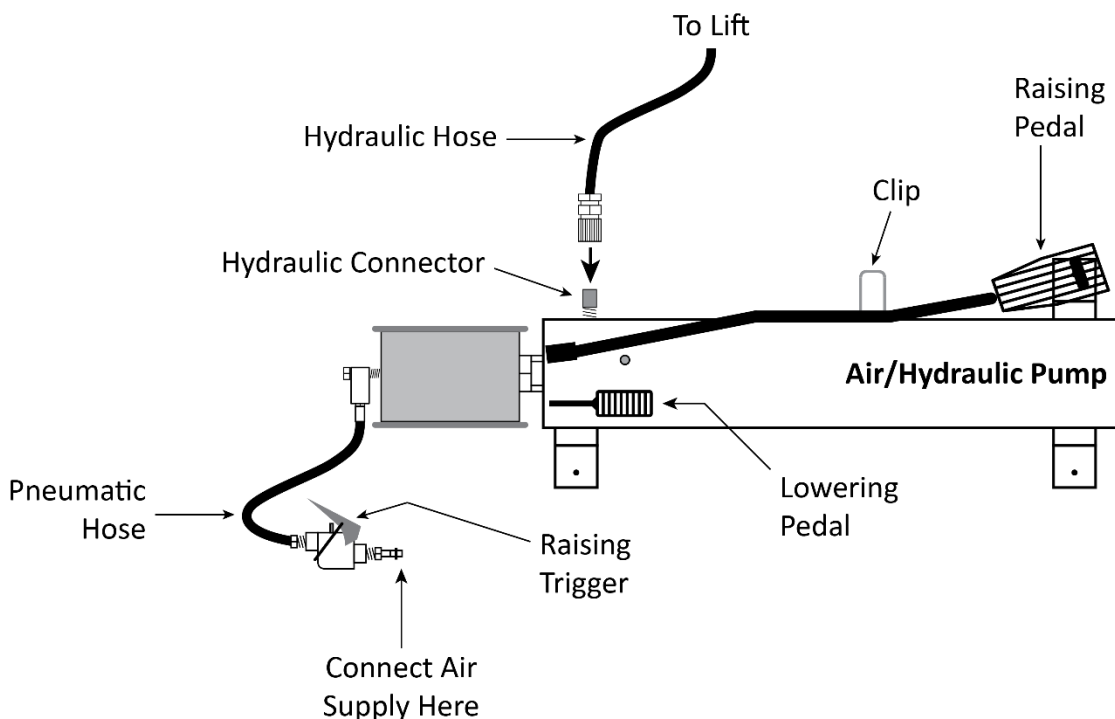
To unpack the Lift components:

1. Move the box holding the Lift as close as possible to where it will be used.
2. Use appropriate tools to remove the top of the box.
3. Remove all of the components except the Base/Platform.
4. Remove the bubble wrap from around those components that come wrapped; lay them out near where you are going to set up the Lift.
5. Locate the plastic bag that holds the Nuts, Bolts, Washers, and the other items you are going to need during installation.

BendPak Ranger recommends carefully laying them out near where you are going to install the Lift so that they are easily accessible when needed.


6. Take the Hydraulic Hose coming from between the Base and the Platform and connect it to the Hydraulic Connector on the *side* of the Air/Hydraulic Pump.

The Hydraulic Hose comes already connected to the Hydraulic Cylinder. You only need to connect it to the Hydraulic Connector on the Air/Hydraulic Pump.



Once the Hydraulic Hose is connected, you can use the Raising Pedal to raise the Lift.

If you plan on using a pressurized Air Supply to raise the Lift and the Air Supply is nearby and ready, you can connect the Pneumatic Hose to the Air/Hydraulic Pump and then use the Raising Trigger to raise the Platform.


 **WARNING** The Lift uses pneumatic (air) energy; if your organization has Lockout/Tagout policies, make sure to implement them once the Lift is connected to a pressurized Air Supply.

7. Use the Raising Pedal or the Raising Trigger to raise the Platform to **full height**.

As the Platform rises, the Safety Lock Plate falls into each Safety Lock; you hear an audible clank when this happens. This is normal operation; it also gives you a clear indication that the Platform is rising normally and lets you know when a Safety Lock has been passed.

If you are raising the Platform using the Raising Pedal, the clank may be less loud or not audible at all, as you are raising the Platform more slowly.

8. Put a Strap around the middle of the Platform, then use a Forklift or Shop Crane (or other appropriate lifting device) to raise the Lift up and then away from the Shipping Box.

 **WARNING** Only allow trained personnel to put the Strap in position or use the lifting device. Be careful moving the Lift; it is heavy and awkward. Take your time and be safe. If the Lift falls, it could damage the Lift or injure anyone nearby.

9. Move the Shipping Box away from the area where you are setting up the Lift; it is a tripping hazard.

10. Use the Lowering Pedal to lower the Lift until it engages on the top Safety Lock.

You should only leave the Lift either fully lowered or engaged on a Safety Lock.

Choose a Mode

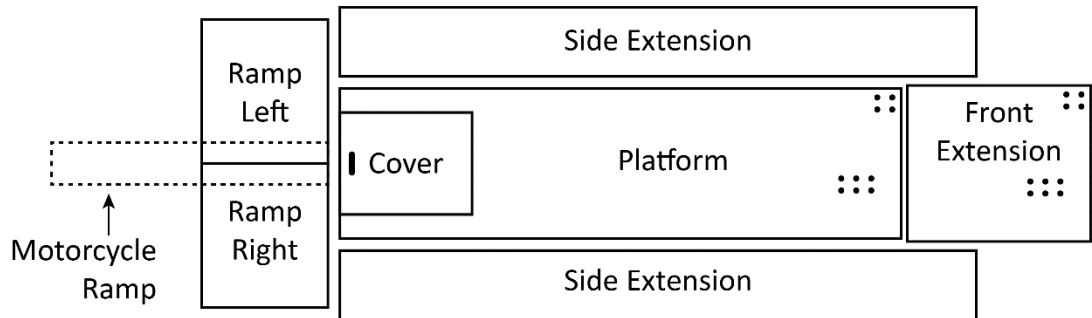
The Lift can be installed in either of two Modes:

- **Motorcycle Mode.** For motorcycles *only*. In Motorcycle Mode, the Lift's Platform is *not wide enough* to accommodate ATVs.

To install the Lift in Motorcycle Mode, install the Cover and the Motorcycle Ramp, then bolt the Clamp Assembly onto the front of the Platform.

If you are installing the Lift in Motorcycle Mode, do *not* install the two gray ATV Ramps, the Side Extensions, or the Front Extension. You will also not need to use the Connecting Rods.

If you are installing the Lift in Motorcycle Mode, you will have components left over. We recommend keeping them, in case you want to switch to ATV Mode in the future.



- **ATV Mode.** For ATVs and Motorcycles. ATV Mode is wide enough to accommodate ATVs and Motorcycles. The only drawback to using ATV Mode for Motorcycles is that you cannot get as close to the sides of the Motorcycle as you can in Motorcycle Mode (because the side extensions get in the way).

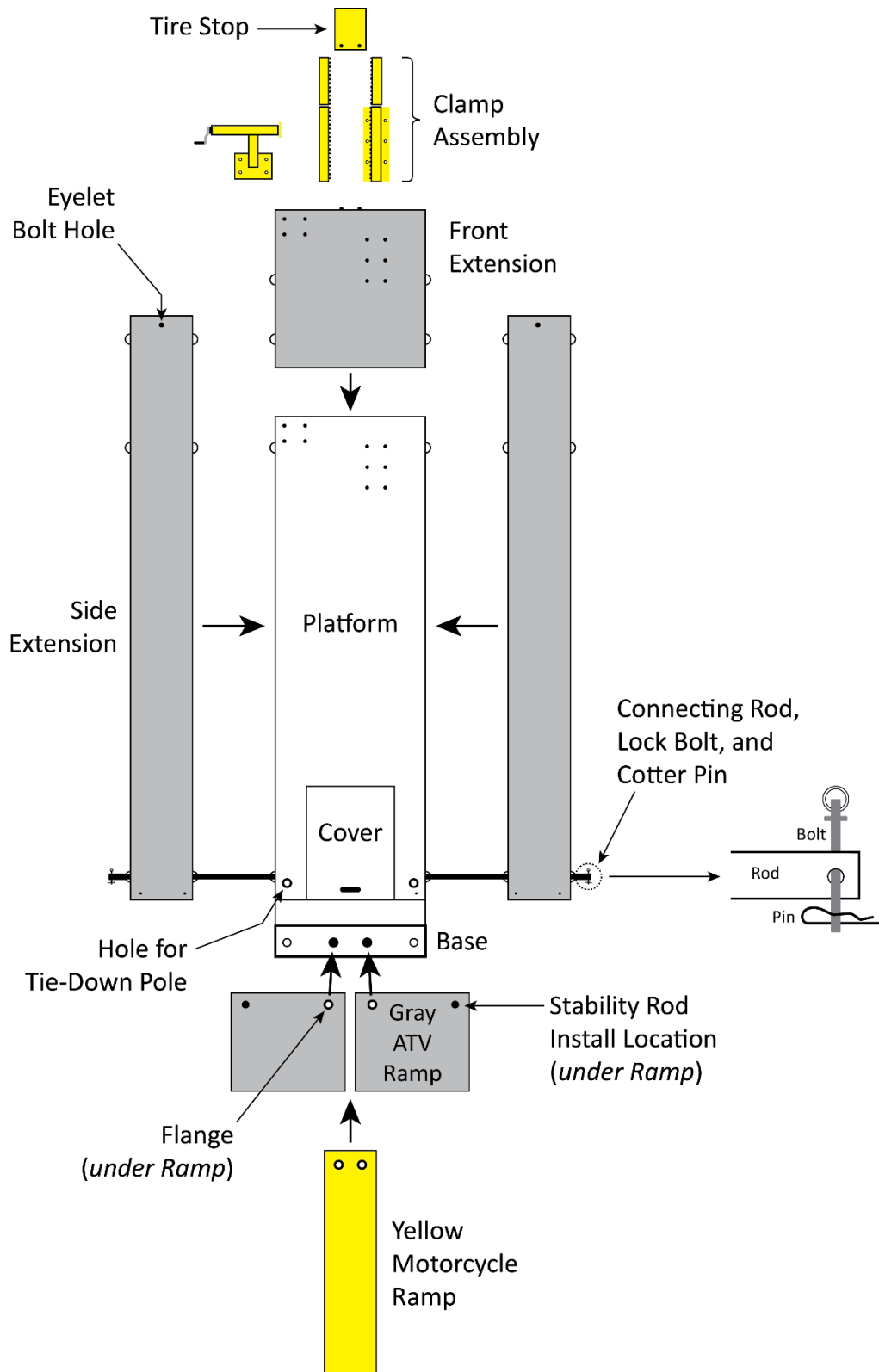
To install the Lift in ATV Mode, add the Side Extensions on both sides of the Platform, the Front Extension over the front of the Platform, the Cover on the Ramp end, and the two gray ATV Ramps. You will need to use the Connecting Rods.

The procedures in this Manual assume you are installing the Lift in ATV Mode. If you are installing the Lift in Motorcycle Mode, just ignore the instructions for those components that are only used in ATV Mode.

Putting the Lift Components into Place

The following procedure assumes you have unpacked the Lift components and decided on which Mode you want to use. If not, go back and do those things before proceeding.

This section does **not** cover installing the Clamp Assembly; it is covered in the next section.



Refer to the drawing on the previous page during installation.

To install Lift components:

1. Put the Cover into place at the Ramp end of the Lift.

2. Take the Front Extension and slide it over the non-Ramp end of the Lift.

You can easily identify this end of the Lift because it has the drilled holes used later to install the Clamp Assembly. These hole are shown in the drawing on the previous page.

Make sure to align the holes in the **side** of the Front Extension with the holes in the **side** of the Platform.

3. Locate the three Connecting Rods.

4. Put the three Connecting Rods into place through the holes in the sides of the Platform and the Front Extension.

5. Locate the two Side Extensions.

6. Put the two Side Extensions into place (one at a time), one on each side of the Platform.

Do not knock the Connecting Rods out when you put on the Side Extensions.

7. Locate the six Lock Bolts and Cotter Pins.

These should be located in the Parts Bag that came with the Lift.

8. Put the Lock Bolts through the holes in both ends of the Connecting Rods, then secure each Lock Bolt in place with a Cotter Pin.

9. Locate the two ATV Ramps and the two Stability Rods.

10. Screw one Stability Rod onto the bottom of each ATV Ramp.

11. Put the ATV Ramps into place on the Ramp end of the Lift.

The two ATV Ramps are not the same, so make sure to orient them correctly.

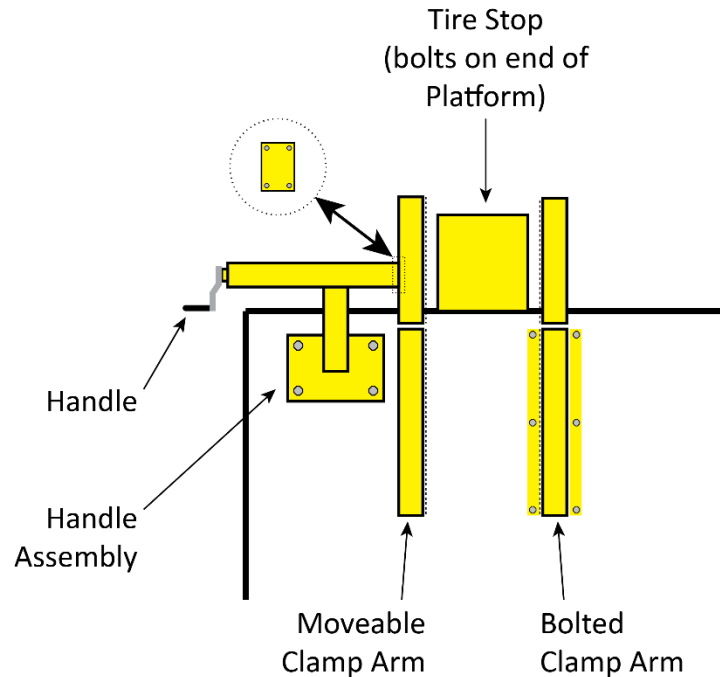
Make sure to put the flanges under the ATV Ramps into the Placement Holes on the Base.

12. Test each ATV Ramp to make sure it is stable.

13. If desired, add the Motorcycle Ramp on top of the ATV Ramps.

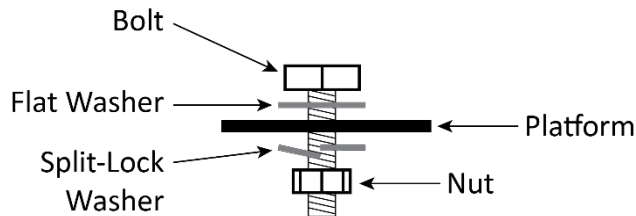
Installing the Clamp Assembly

The Clamp Assembly holds the front tire of the ATV or Motorcycle in place while it is on the Lift. It includes three pieces, all of them yellow. The Tire Stop, which bolts onto the Platform, is also yellow.



To install the Clamp Assembly and Tire Stop:

1. Locate the three pieces of the Clamp Assembly (Handle Assembly, Moveable Clamp Arm, and Bolted Clamp Arm), the Tire Stop, and 14 Bolts, Flat Washers, Split-Lock Washers, and Nuts. The Bolts, Washers, and Nuts should be located in the Parts Bag that came with the Lift.
2. Orient the Handle Assembly so that the four holes in the base are aligned over the four holes in the Platform.
3. Use four of the Bolt, Washer, and Nut sets to secure the Handle Assembly to the Platform. BendPak Ranger recommends orienting your Bolts, Washers, and Nuts as shown here.



4. Use four more Bolt, Washer, and Nut sets to secure the Handle Assembly to the Moveable Clamp Arm.
5. Use six Bolt, Washer, and Nut sets to secure the Bolted Clamp Arm to the Platform.
6. Find the Tire Stop and use two Bolt, Washer, Nut sets to secure it to the end of the Platform.

Operation


This section describes how to use the ATV/Motorcycle Lift safely during normal operation.

Safety Rules

Important: Your safety is dependent on reading, understanding, and implementing these Safety Rules. ***Do not skip over them; read them carefully and follow them!***

To use your ATV/Motorcycle Lift safely:

- Before raising a vehicle, inspect the Lift every time. Check for kinked hoses, worn or missing parts, or any other abnormalities. If you see anything wrong, take the Lift out of service, disconnect it from its air supply (if connected), and then contact an authorized repair facility, your distributor, or BendPak Ranger by phone at **(805) 933-9970** or by email at support@bendpak.com.
- Check the area around the Lift for obstructions; anything that might block the Lift from going up or going down normally. Do not forget to check **above** the Lift. If you find an obstruction, move it out of the way.
- The Lift uses pneumatic (air) energy; if your organization has Lockout/Tagout policies, make sure to implement them once the Lift is connected to a pressurized air supply.
- The Pump is a tripping hazard if you keep it on the ground. Make sure everyone who uses the Lift or works near it is aware of the location of the Pump.
- Only allow trained, supervised personnel to operate the Lift. Do not allow children or untrained personnel to operate the Lift. Do not let anyone under the influence of drugs, alcohol, or medication to operate the Lift.
- Other than the person operating the Lift, keep all other people a minimum of 30 feet away from the Lift while it is being used.

 **WARNING** Operators ***must*** wear OSHA-approved (publication 3151) Personal Protective Equipment at all times when installing, using, maintaining, or repairing the Lift. Leather gloves, steel-toed work boots, ANSI-approved eye protection, back belts, and hearing protection ***are mandatory***.

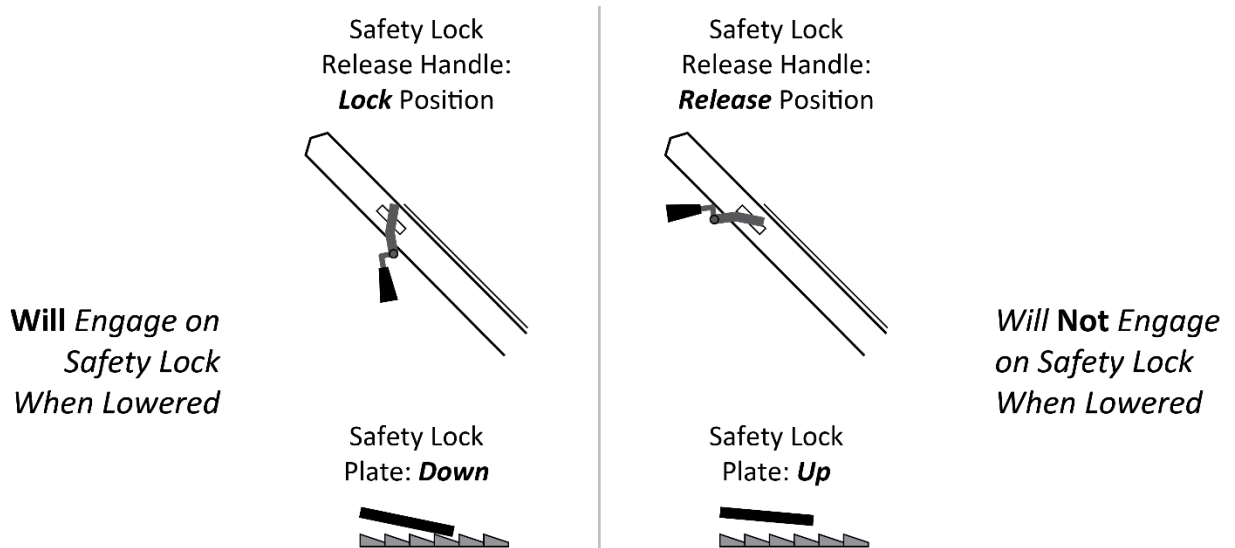
- Never exceed the Lift's weight rating. Do not allow people inside a Vehicle you are going to raise. Before raising a vehicle, make sure it is balanced and secure on the Platform.
- Do ***not*** drive the vehicle onto the Lift.
- If the Lift seems to be having difficulty raising a vehicle, stop operation immediately, lower the Lift back down to the ground, check everything out and make any necessary adjustments, then try again.
- Only leave the Lift if it is fully lowered or engaged on Safety Locks.
- Do not begin work on the vehicle on the Lift until you are sure the Lift is engaged on a Safety Lock and the vehicle is balanced and secure on the Lift.
- ***Pay attention at all times while using the Lift. Safety is your top priority at all times.***

Raising a Vehicle

The Platform is raised using the Air/Hydraulic Pump.

To raise a vehicle:

1. Make sure you are wearing OSHA-approved (publication 3151) Personal Protective Equipment: leather gloves, steel-toed work boots, back belts, hearing protection, and ANSI-approved eye protection (safety glasses, face shield, or goggles).
2. Make sure the Platform is fully lowered, the area around the Lift is clear of any obstructions, and the Safety Lock Release Handle is in the lowered (Lock) position.



3. Open the Clamp wide enough to accommodate the front tire of the vehicle you are about to move onto the Platform.
4. **Push** a vehicle onto the Platform. **Never drive** the vehicle onto the Platform.
5. Close the Clamp to secure the front wheel.
6. Use the Tie-Down Rings, the Tie-Down Poles, or any additional restraints until the vehicle is secure on the Platform.
7. **Before raising**, make sure the vehicle is centered and balanced on the Platform.

⚠ WARNING Do not raise a vehicle until you are sure all components are in place and working normally. If you raise a vehicle without making a safety check first, you endanger yourself and anyone else nearby and you risk damage to the vehicle and the Lift.

8. Use the Raising Pedal to manually raise the Platform or use the Raising Trigger to raise the Platform using air.

You will hear the Safety Lock Plate clank as it passes each Safety Lock. It may clank less loudly or not at all if you are using the Raising Pedal.

9. Go just past the desired height, then stop raising the Platform (stop pumping the Raising Pedal or release the Raising Trigger).

⚠ CAUTION Do not raise the Platform past the top Safety Lock. In rare cases, the Safety Lock Plate can go too far and get stuck past the top Safety Lock. If this happens, manually lift the Safety Lock Plate to unstick it.

10. Use the Lowering Pedal to back the Platform down onto the most recently passed Safety Lock.

11. When the Platform stops moving, hold the Lowering Pedal down for several more seconds, then check to make sure the Safety Lock Plate is engaged on the Safety Lock.

If the Safety Lock Plate is engaged on the same Safety Lock on both sides, the Platform is engaged on its Safety Locks and is safe to use. You can now enter the work area.

If the Safety Lock Plate is **not** engaged on the Safety Lock or is engaged on different Safety Locks, carefully lower the Platform back down to the ground and start again.

Do **not** enter the work area until you have confirmed the Lift is engaged on its Safety Lock.

Lowering a Vehicle

The Platform is lowered using the Air/Hydraulic Pump.

To lower a vehicle:

1. Make sure you are wearing OSHA-approved (publication 3151) Personal Protective Equipment: leather gloves, steel-toed work boots, back belts, hearing protection, and ANSI-approved eye protection (safety glasses, face shield, or goggles).

2. Check to make sure the vehicle on the Lift is secured and there are no obstructions under or around the Platform.

3. Use the Raising Pedal or the Raising Trigger to raise the Safety Lock Plate off of the Safety Lock it was engaged on. Do not go past the next Safety Lock.

In order for the Lift to lower, the Safety Lock Plate must **not** be engaged on a Safety Lock. To do this, you first have to move the Safety Lock Plate **up** off the Safety Lock it was engaged on.

4. Move the Safety Lock Release Handle up and to the left, the Release position.

This raises the Safety Lock Plate, which allows the Lift to lower.

5. Hold down the Lowering Pedal on the Pump.

The Lift lowers.

6. When the Lift is **fully** lowered, continue to hold down the Lowering Pedal for several seconds, then release it.

7. **Walk** the vehicle off the Platform.

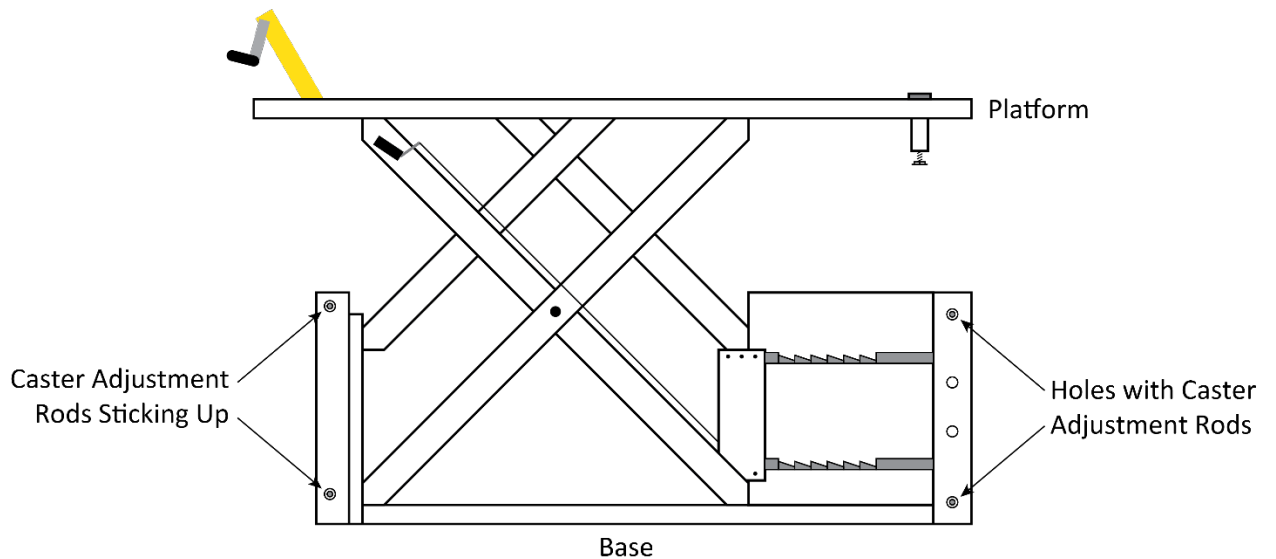
Using the Casters

The Lift has built-in Casters, making it easy to move the Lift to different locations.

To move the Lift using the Casters:

1. Find a 10 mm hex key (also called an Allen® key or wrench).
2. Locate the four Caster Adjustment Rods on the Base of the Lift.


The two Caster Adjustment Rods on the Ramp end of the Lift may be under the gray ATV Ramps if you have installed them already.



3. Turn each of the four Caster Adjustment Rods clockwise to engage the Casters.
The Base rises slightly as the Casters engage.
4. When all four Casters are engaged, carefully roll the Lift to the desired location.
5. When the Lift is at the desired location, turn each of the four Caster Adjustment Rods counterclockwise to lower the Base back down onto the ground.

Make sure the Lift cannot move on the Casters before raising a vehicle at the new location.


Maintenance

 **WARNING** Disconnect the Lift from its pressurized Air Supply (if connected) **before** performing any troubleshooting procedures. The Lift uses pneumatic (air) energy; if your organization has Lockout/Tagout policies, make sure to implement them once the Lift is connected to a pressurized Air Supply.

To maintain your ATV/Motorcycle Lift:

- **Cleanliness.** Make sure to keep the Lift clean and free of debris and dirt. Wipe it down after each use; remove any grease, dirt, or other debris.
- **Clamp Assembly.** Be careful not to bump or bend the Clamp Assembly. If bent, it may not work correctly.
- **Hydraulic Fluid.** The small amount of Hydraulic Fluid in the Pump generally does not need to be changed or added to. If you think your Lift has dirty or low Hydraulic Fluid, visit www.bendpak.com/support/ or call BendPak Ranger at **(805) 933-9970**.

Troubleshooting

 **WARNING** Disconnect the Lift from its pressurized Air Supply (if connected) **before** performing any troubleshooting procedures. The Lift uses pneumatic (air) energy; if your organization has Lockout/Tagout policies, make sure to implement them once the Lift is connected to a pressurized Air Supply.

Issue	Action to Take
Platform does not raise.	Make sure you have a pressurized Air Supply attached or are using the Raising Pedal. Make sure the Hydraulic Hose is connected to the bottom of the Hydraulic Cylinder and to the Pump. Make sure the Lift has less than 1500 pounds / 680 kg on it. Do not overload the Lift.
Platform lowering on its own.	Make sure the Safety Lock Plate is engaged on a Safety Lock.
Lift is making odd noises as it raises and lowers.	Make sure the Lift is not overloaded. Lubricate hinge points using white lithium grease.
Lift wobbles as it raises or lowers.	Make sure the vehicle on the Lift is correctly secured.
Lift becomes inoperative with vehicle raised on the Lift.	If Platform is engaged on a Safety Lock, the Platform will stay raised. To lower it, use another lifting device to raise the vehicle off the Platform a few inches, raise the Platform to get it off its Safety Lock, put the vehicle back onto the Platform, then lower the Platform to the ground. Once the vehicle is safely off the Platform, take the Lift out of service, determine the source of the problem, resolve the problem yourself, or visit www.bendpak.com/support/ , email support@bendpak.com , or call BendPak Ranger at (805) 933-9970 . Do not put the Lift back into service until the issue has been resolved.

Labels

A

<p style="text-align: center;">⚠ WARNING! ⚠</p> <p style="text-align: center;">FAILURE TO READ AND UNDERSTAND THE FOLLOWING WARNINGS MAY RESULT IN PERSONAL INJURY AND/OR PROPERTY DAMAGE.</p> <p>Read and understand entire contents of operation manual and warnings below before operating this equipment.</p> <ul style="list-style-type: none"> ✓ Never exceed the rated capacity of the lift or air supply lines. Do not operate the lift if any component is found to be defective or worn. ✓ Never operate lift with any person or equipment below. ✓ Always ensure load is centered and secured on lift table prior to operating raising or lowering controls. ✓ When lowering the lift pay careful attention that all personnel and objects are kept clear. Always keep a visual line of site on the lift during operation. ✓ Always stand clear of lift when lowering or raising. ✓ Never leave lift in elevated position unless all safety locks are engaged. ✓ Keep all body parts and objects away from hinging pinch points when lift is in motion. ✓ The concrete on which the lift is to be installed must be level and in good condition and free of cracks or other defects. ✓ Always wear durable work clothing during any installation and/or service activity. Loose fitting clothing should be avoided. ✓ Visually confirm that all primary safety locks are engaged before entering lift's work area. <p style="text-align: right;">Ranger</p>	<h2 style="margin: 0;">Motorcycle / ATV Service Lift Platform</h2> <h3 style="margin: 0; text-align: right;">RML-1500XL</h3> <p>LIFT OPERATION</p> <p>TO RAISE LIFT</p> <ol style="list-style-type: none"> 1. Ensure that load is firmly positioned and secured on lift table. 2. Before raising load, be sure all personnel are clear of the lift and surrounding area. Pay careful attention to overhead clearances. Stand clear of lift table. 3. For manual operation, repeatedly step on the foot pedal; for pneumatic operation, attach the air supply then operate the hand control until the desired height is reached. 4. Depress the lowering valve pedal until lift platform securely locks into position. 5. Always ensure safety locks are fully engaged before entering work area. <p>TO LOWER LIFT</p> <ol style="list-style-type: none"> 1. Ensure that load is firmly positioned and secured on lift table. Stand clear of lift table. 2. For manual operation, repeatedly step on the foot pedal; for pneumatic operation, attach the air supply then activate hand control to elevate lift platform slightly. 3. Move the lock release handle to the safety release position. 4. Depress the lowering valve pedal until the lift has descended completely. 5. Walk your motorcycle or ATV carefully off the lift platform. Do not drive or ride it off. <div style="text-align: right;"> <ul style="list-style-type: none"> ✓ Lifting capacity - 1,500 lbs. ✓ Table height - 7" - 45" ✓ Table width - 30" - 51" ✓ Table length - 80" - 100" <p>ANSI CE</p> </div> <p style="font-size: small; margin-top: 5px;">1645 Lemonwood Drive • Santa Paula, CA 93060 • TEL: 805-933-9970 • www.rangerproducts.com ENGINEERED BY RANGER PRODUCTS USA • MADE IN CHINA</p>
---	---

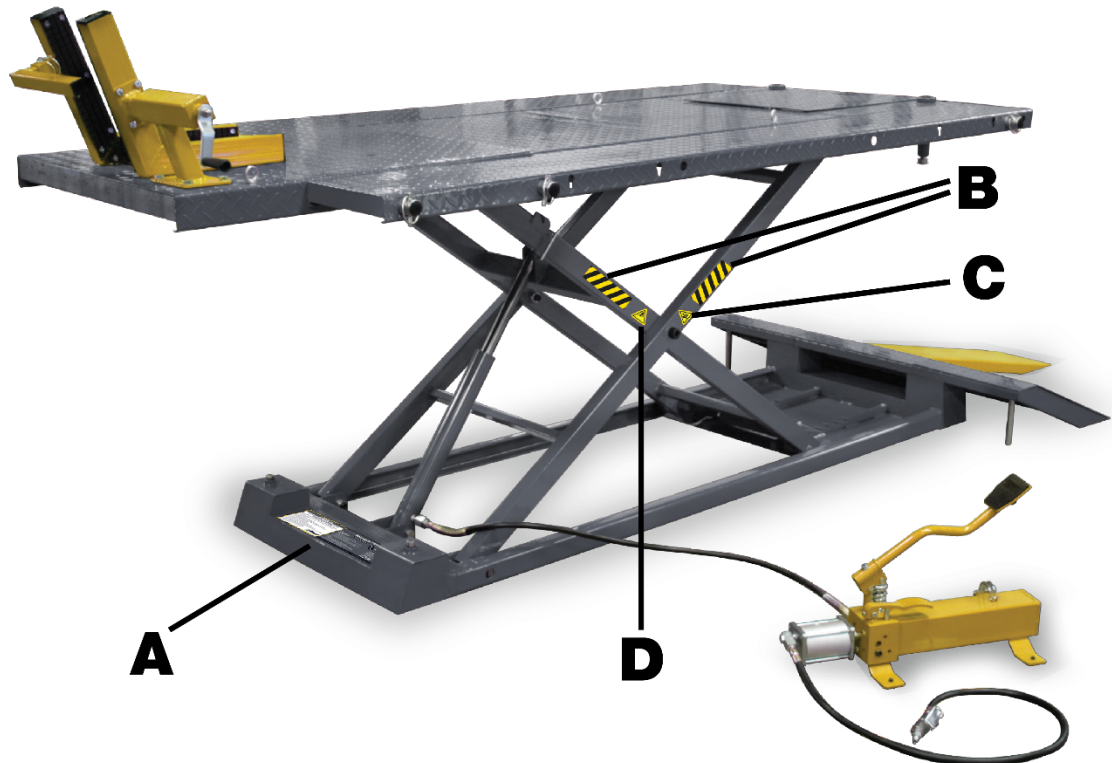
B



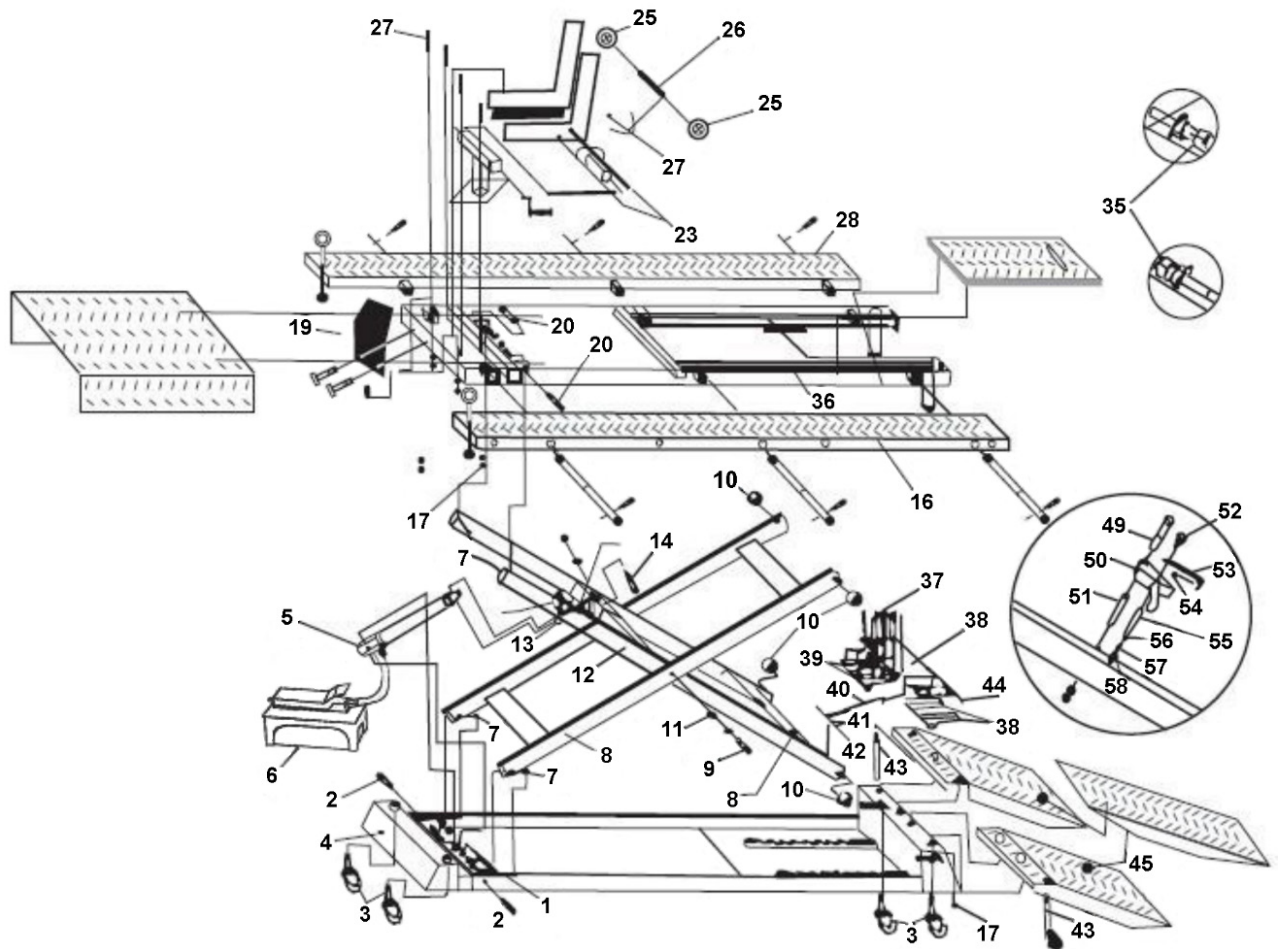
C



D



Parts Drawings



#	Description	Quantity
1	M16 A110 Bolt, Nut, and Washer	1
2	M14 A110 Bolt, Nut, and Washer	1
3	2 inch Caster	4
4	Base Assembly	1
5	Hydraulic Jack	1
6	Pneumatic/Hydraulic Pump	1
7	Bearing 1520	6
8	Link Rod 1	1
9	M20 A120 Bolt, Nylon Nut, and Washer	2
10	Tire	4
11	Bearing 2020	8
12	Link Rod 2	1
13	Ball Handle	1
14	M16 A70 Bolt, Nut, and Washer	1
15	M16 A370 Bolt and Washer	6
16	Shoulder Right	1

17	M12 Nut and Washer	12
18	U Bolt	2
19	U Bolt	1
20	M14 A80 Bolt, Nut, and Washer	2
21	Base Clamp	1
22	M12 A25 Bolt, Nut, and Lock Washer	4
23	M8 A12 Bolt and Lock Washer	6
24	Block	2
25	Handle - Clamp	2
26	Screw Rod	1
27	Clamp	2
28	Shoulder Left	1
29	n/a	
30	M5 30 Bolt	6
31	M8 Bolt, Nut, and Washer	4
32	Nylon Tire	4
33	Deck Plate, Moveable	1
34	Lock Assembly Deck Plate	1
35	M5 Lock Nut	6
36	Deck Plate, main	1
37	M6 A18 Bolt and Washer	16
38	Safety Plate	1
39	Safety Block	4
40	Link Rod	2
41	M8 Washer	1
42	M8 50 Bolt, Nut, and Washer	2
43	Ramp Stand	1
44	M8 A25 Bolt, Nut, and Washer	1
45	Ramp N Left	1
46	Ramp N Right	4
47	Snap Ring D14	2
48	M8 25 Bolt and Nut	1
49	M8 60 Bolt, Nut, and Washer	1
50	Release Handle	1
51	Copper Ring	1
52	M6 Bolt	1
53	Cable Link Plate	1
54	Release Cable	1
55	Guide Ring	1
56	Rod	1
57	Spring	1
58	M12 12 Bolt	1



1645 Lemonwood Drive
Santa Paula, CA 93060 USA