



PLEASE READ THE ENTIRE CONTENTS OF THIS MANUAL PRIOR TO INSTALLATION AND OPERATION. BY PROCEEDING YOU AGREE THAT YOU FULLY UNDERSTAND AND COMPREHEND THE FULL CONTENTS OF THIS MANUAL. FORWARD THIS MANUAL TO ALL OPERATORS. FAILURE TO OPERATE THIS EQUIPMENT AS DIRECTED MAY CAUSE INJURY OR DEATH.

REV A 07-10-09

INSTALLATION AND OPERATION MANUAL

Tire Vulcanizer

Model: RV80L

VER A



SHIPPING DAMAGE CLAIMS

When this equipment is shipped, title passes to the purchaser upon receipt from the carrier. Consequently, claims for the material damaged in shipment must be made by the purchaser against the transportation company at the time shipment is received.

BE SAFE

Ranger™ Tire Vulcanizers are designed and built with safety in mind. However, proper training and thoughtful operation on the part of the operator can increase your overall safety. DO NOT operate or repair this equipment without reading this manual and the important safety instructions shown inside.



1645 Lemonwood Dr.
Santa Paula, CA. 93060, USA
Tel: 1-805-933-9970
Toll Free: 1-800-253-2363
Fax: 1-805-933-9160
www.rangerproducts.com

WARRANTY POLICY

Ranger Products™ are backed by over 35 years of manufacturing experience. Every Tire Vulcanizer bearing the Ranger™ name is sold with the following warranty.

- ◆ Each Ranger Product™ is warranted to be free from defects in workmanship and material for a period of one year from the date of shipment provided that a written claim for such defect is made within that time.
- ◆ This warranty does not cover damage or defects caused by carelessness of the operator, misuse, abuse or abnormal use which in any way impairs the proper functioning of the equipment or by the use or addition of parts not manufactured by Ranger Products™ or its suppliers.

THIS WARRANTY IS EXPRESSLY MADE IN LIEU OF ANY AND ALL OTHER WARRANTIES EXPRESSED OR IMPLIED INCLUDING THE WARRANTIES OF MERCHANTABILITY AND FITNESS FOR A PARTICULAR PURPOSE.

If your Ranger Products™ machine is not functioning properly, call your Ranger Products™ dealer immediately. On some occasions, an independent contractor may be hired to do the repairs. Within the warranty period, a customer should not hire his own contractor unless it is authorized in writing by Ranger Products™.

If it is necessary to return equipment for repairs, your dealer will so advise you. When returning equipment for repairs, see that machines are properly crated and protected, and prepay transportation.

Defective parts replaced at no charge must be returned to your dealer or Ranger Products™ within 60 days of the date that the replacement parts are shipped; otherwise, you must pay for the replacement parts at the current selling price.

SHIPPING DAMAGE

If any damage is found, notify your carrier immediately and save all packaging materials for the carrier's inspector to examine. Failure to promptly report damage could result in denial of your claim.

A trucking company's procedure for handling damage is as follows:

1. Immediately send out an inspector. An inspection report is filled out on the spot, a copy of which is given to the customer.
2. The **customer** has to call the carrier to request a claim form.
3. The customer mails in the claim form.
4. The claim usually takes two (2) months to process.

If a unit is seriously damaged, your Ranger Products dealer may be able to intervene, requesting that the damaged unit be returned and a new unit delivered.



IMPORTANT SAFETY TIPS

**ALWAYS MAINTAIN A CLEAN WORK AREA.
KEEP VISITORS AND ESPECIALLY
CHILDREN AWAY FROM WORK AREA.**

**THIS TIRE VULCANIZER IS TO BE OPERATED BY
PROPERLY TRAINED PERSONNEL ONLY.
OPERATION BY UNTRAINED
PERSONNEL MAY RESULT IN INJURY
AND /OR PROPERTY DAMAGE.**

For Parts Or Service Contact:

**BendPak Inc. / Ranger Products
1645 Lemonwood Dr.
Santa Paula, CA. 93060
Tel: 1-805-933-9970
Toll Free: 1-800-253-2363
Fax: 1-805-933-9160
www.bendpak.com
www.rangerproducts.com**



THIS OPERATING MANUAL CONTAINS IMPORTANT DETAILS CONCERNING THE SAFE OPERATION OF THIS EQUIPMENT. THE USER MUST READ AND UNDERSTAND THESE DETAILS BEFORE ANY USE OF THE EQUIPMENT. THIS MANUAL MUST BE RETAINED FOR FUTURE REFERENCE.

OWNER/OPERATOR RESPONSIBILITY:

The owner and/or operator shall study the product instructions and retain them for future reference.

The owner and/or operator shall have an understanding of the product operating instructions and warnings before operating the equipment.

Warning information shall be emphasized and understood. If the operator is not fluent in English, the product instructions and warnings shall be read to and discussed with the operator in the operator's native language by the purchaser/ owner or his designee, making sure that the operator comprehends its contents.



CAUTION!

EQUIPMENT INSPECTION

Visual inspection should be made before each use of the equipment. This inspection should check for abnormal conditions such as cracked welds, leaks, and damaged, loose or missing parts.

Any product that appears to be damaged in any way, is found to be worn or operated abnormally, must be removed from service immediately.

Any product that operates abnormally shall be removed from service until repaired by a qualified repair service center.

If the product is accidentally subjected to an abnormal load or shock, it must be taken out of service immediately and be inspected by a qualified repair or service center.

It is recommended that an annual inspection is performed on the equipment and that any damaged or worn parts, decals or warning labels be replaced with manufacturer's specified parts.



WARNING!

ALTERATIONS

Because of potential hazards associated with this type of equipment, no alterations shall be made to the product.



WARNING!

THIS IS A TIRE VULCANIZING DEVICE ONLY. DO NOT EXCEED RATED CAPACITY.

OVERLOADING/ OVER HEATING CAN CAUSE DAMAGE TO OR FAILURE OF THE TIRE VULCANIZER.

KEEP HANDS AND BODY CLEAR OF ALL PINCH POINTS.

NO ALTERATIONS TO THE TIRE VULCANIZER SHALL BE MADE.

READ, STUDY AND UNDERSTAND THE OPERATING MANUAL PACKED WITH THIS EQUIPMENT BEFORE OPERATING.

ALWAYS WEAR APPROVED EYE PROTECTION DURING OPERATION.

FAILURE TO HEED THESE WARNINGS MAY RESULT IN DAMAGE TO THE EQUIPMENT, AND/OR FAILURE RESULTING IN PROPERTY DAMAGE, PERSONAL OR FATAL INJURY.



DANGER!

BEFORE PERFORMING ANY TIRE REPAIR: CONFIRM WITH THE TIRE'S MANUFACTURER THAT THE SPECIFIC TIRE YOU ARE ATTEMPTING TO REPAIR IS CAPABLE OF BEING REPAIRED IN THE MANNER AND LOCATION PROPOSED.

FAILURE TO DO SO MAY CAUSE CATASTROPHIC FAILURE OF THE TIRE DURING USE OR INFLATION.

PERFORMING ANY REPAIRS ON THE TIRE MAY OR MAY NOT VOID ANY MANUFACTURE'S WARRANTY OR GUARANTEES.

WHILE EVERY ATTEMPT HAS BEEN MADE TO COVER THE GENERAL CIRCUMSTANCES INVOLVING TIRE DAMAGE AND REPAIR, THERE IS A WEALTH OF INFORMATION THAT THE USER OF THIS EQUIPMENT MUST BE FAMILIAR WITH PRIOR TO OPERATION OF THIS EQUIPMENT

BEFORE PERFORMING ANY TIRE REPAIR, RANGER RECOMMENDS READING, UNDERSTANDING AND FOLLOWING THE REPAIR GUIDELINES OUTLINED IN THE MATERIALS REGARDING TIRE REPAIR AND UTILIZING TRAINING AVAILABLE FROM, BUT NOT LIMITED TO THE FOLLOWING;

- ◆ TIRE MANUFACTURES
- ◆ TIRE REPAIR MATERIAL MANUFACTURERS
- ◆ TIRE REPAIR CHARTS
- ◆ CONTACT: THE TIRE TREAD & REPAIR INFORMATION BUREAU FOR COMPLETE EXPLANATION AND UNDERSTANDING OF TIRE REPAIR at www.retread.org
- ◆ RUBBER MANUFACTURERS ASSOCIATION. www.rma.org
- ◆ TIRE INDUSTRY ASSOCIATION www.tireindustry.org



DANGER!

DO NOT REPAIR TIRE IF:

- ◆ There is 2/32" or less of tread on any 2 adjacent tread grooves. The tire is not legal for use on U.S. Highways.
- ◆ The tire cord or steel belt is exposed.
- ◆ There are flex breaks or severe side wall abrasions.
- ◆ There is any evidence of a separation in the tread area or the sidewall of the tire.
- ◆ There is any evidence to indicate the tire has been run flat.
- ◆ There are punctures or damage to the shoulder or sidewall areas.
- ◆ Never use any rim that is bent, pitted from corrosion, cracked or worn. Remove rust dirt or foreign material from rim parts.
- ◆ Areas of the bead that are integral to the structure of the bead area are damaged.
- ◆ The tire does not contain a serial number, it shall not be repaired until the history of the tire can be verified.



CAUTION!

- ◆ Always dismount tire from wheel before using a probe, grinding attachment or repair tool.
- ◆ An aerosol tire sealer inflator can have a chemical additive that is extremely combustible and could ignite when using such tools.
- ◆ Always wear safety glasses when repairing tire.
- ◆ Do no inflate a damaged tire, as reinflation could result in serious injury. Dismount the tire and inspect for inner liner damage.

ALWAYS:

- ◆ Inflate the tire to its maximum allowed pressure.



WARNING!

DO NOT OVER INFLATE.

- ◆ Check the surface and valve for the source of the leak(s) by using water, soap solution, leak detector or a Ranger Dunk Tank.
- ◆ Locate the injury and circle with a crayon.
- ◆ Remove the valve core to deflate the tire.
- ◆ Dismount and inspect the tire on a well lighted spreader for inner liner cracks, open splices, exposed tire cord or steel belts, broken bead or bead wire, bulges or blisters other interior damage. If any damage other than a 1/4" maximum puncture injury in the tread area is present, REFER THE REPAIR TO A FULL SERVICE REPAIR FACILITY.

Puncture repair procedures for passenger tires with 1/4" maximum size injury in the tread area only.
Do not repair sidewall or shoulder injuries.

All speed rated tires may be repaired using the same materials and procedures. In some cases the speed rating is retained or may be lowered.

Consult the tire manufacturer to determine the rating of a repaired speed rated tire.



CAUTION!

**BEFORE PERFORMING ANY TIRE REPAIR:
CONFIRM WITH THE TIRE'S MANUFACTURER THAT
THE SPECIFIC TIRE YOU ARE ATTEMPTING
TO REPAIR IS CAPABLE OF BEING REPAIRED IN
THE MANNER AND LOCATION PROPOSED.
FAILURE TO DO SO MAY CAUSE CATASTROPHIC
FAILURE OF THE TIRE DURING USE OF INFLATION.**

**PERFORMING ANY REPAIRS ON THE TIRE MAY OR
MAY NOT VOID ANY MANUFACTURE'S WARRANTY
OR GUARANTEES.**

ASSEMBLY INSTRUCTIONS

RV80 Tire Vulcanizer

Refer to the Parts Breakdown on Page 6.

1. Remove the Vulcanizer from the packing materials.
2. Connect the grounding wire to an appropriate earth ground before operation.

OPERATING INSTRUCTIONS



DANGER!

If you detect any structural failure, stop using the Tire Vulcanizer immediately and get a qualified technician to inspect it.



CAUTION!

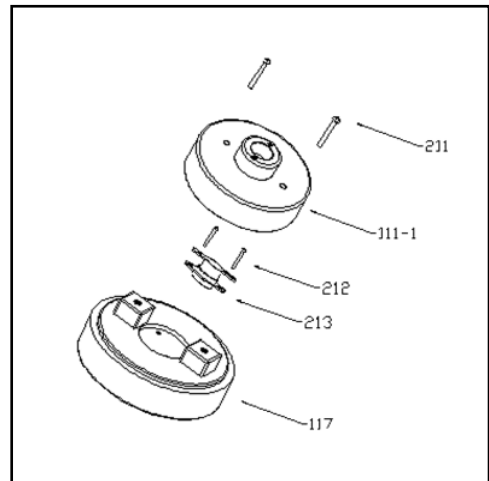
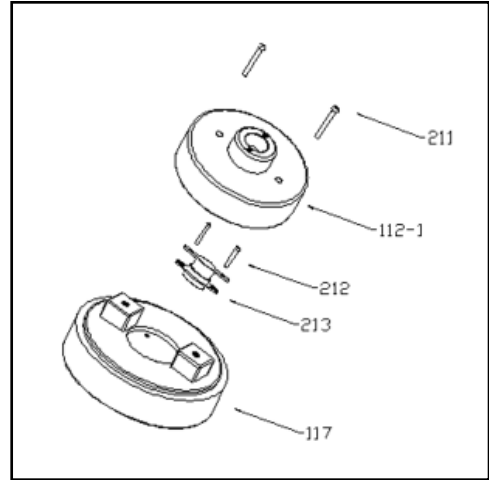
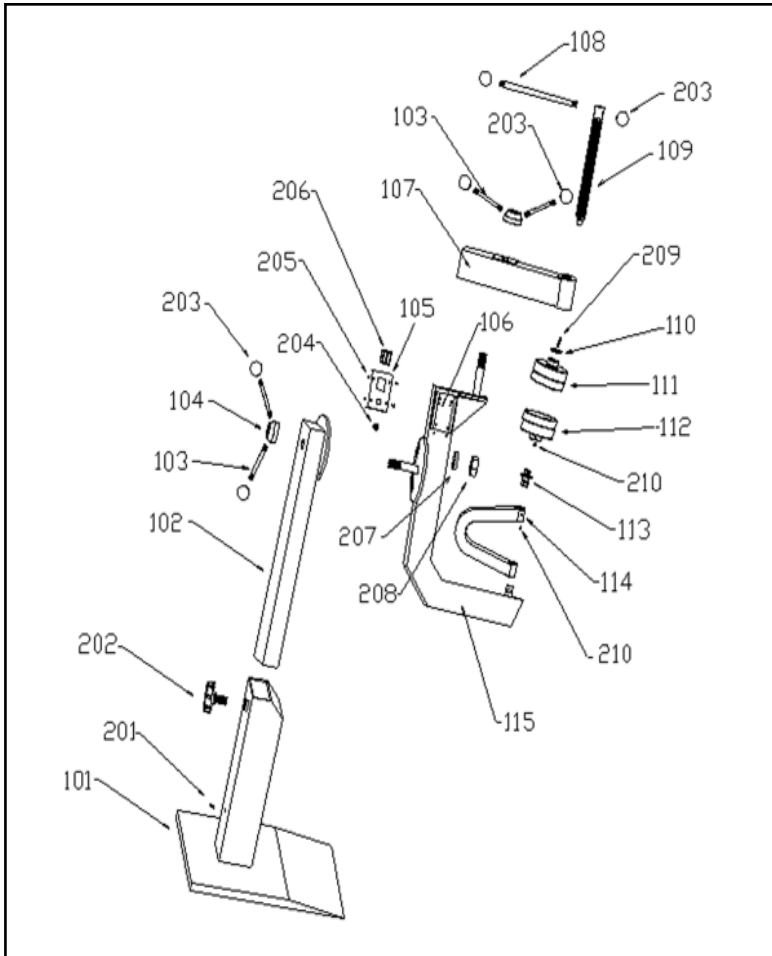
Keep hands, fingers or feet and all parts of the body away from any moving parts.

1. Repair the tire following the instructions included with the patch, cement, plugs and or extrusion material kit.
2. Adjust the contoured heat pads and high-temperature aluminum filled silica-cloth heating pads to adequately cover the repair area
3. The top and bottom pads can be heated independently depending upon the nature of the repair.
4. Heat the repair for the time recommended by the patch, cement, plugs extrusion material kit manufacturer.

MAINTENANCE

1. Keep the vulcanizer clean and free of debris and dirt.
2. All exposed machine surfaces of the Tire Vulcanizer should be brushed clean and wiped with WD-40 or equivalent.

PARTS BREAKDOWN



No.	Description	Qty.
101	Base	1
201	Bolt	1
202	Handle	1
102	Arm	1
103	Screw	4
104	Nut	2
203	Handball	6
204	Fuse	1
205	Bolt	4
206	Switch	1
105	Switch lid	1
106	Switch box	1
207	Mat	1
208	Nut	1
209	Bolt	2
n/a	Alum./ Silica Cloth Heating Pads	1
n/a	Contoured Heating Pads	5

No.	Description	Qty.
107	Arm	1
108	Screw	1
109	Leading screw	1
110	Split washer	1
111	Cover Plate	1
112	Cover Plate	1
210	Bolt	1
113	Small shaft	1
114	U tool rack;	1
115	Tool rack;	1
211	Bolt	4
111-1	Cover	1
212	Bolt	4
213	Temperature control	2
117	Heating unit	2
112-1	Cover	1

SPECIFICATIONS

MODEL #	CURING HEADS	DIMENSIONS	TEMPERATURE	SHIPPING WEIGHT
RV80 Tire Vulcanizer	6.5" / 5.5" / 4.75" 16.5mm / 13.9mm / 12 mm	57" x 22" x 14" 144mm x 56mm x 36 mm	150° F 66° C	78 Lbs 35.5 Kg



The best automotive service equipment on the planet.

**For Parts Or Service
Contact:**

**BendPak Inc. / Ranger Products
1645 Lemonwood Dr.
Santa Paula, CA. 93060**

**Tel: 1-805-933-9970
Toll Free: 1-800-253-2363
Fax: 1-805-933-9160**

**www.bendpak.com
www.rangerproducts.com**

