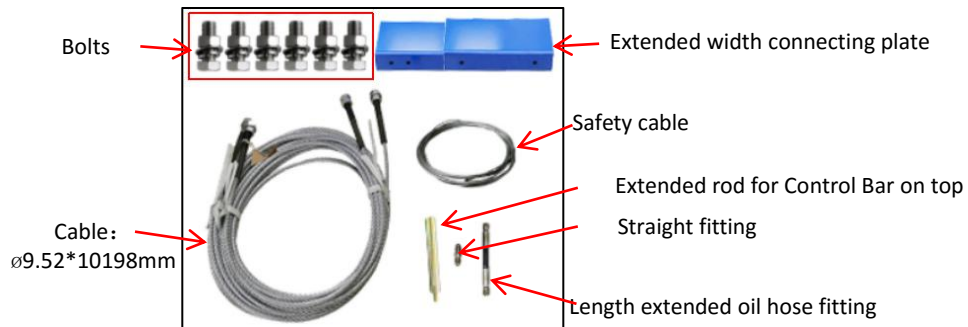
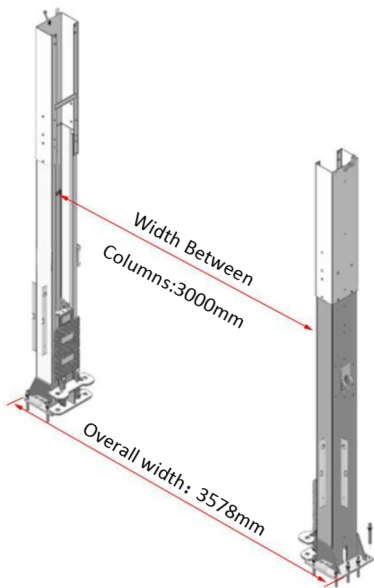


# Width extension kits installation

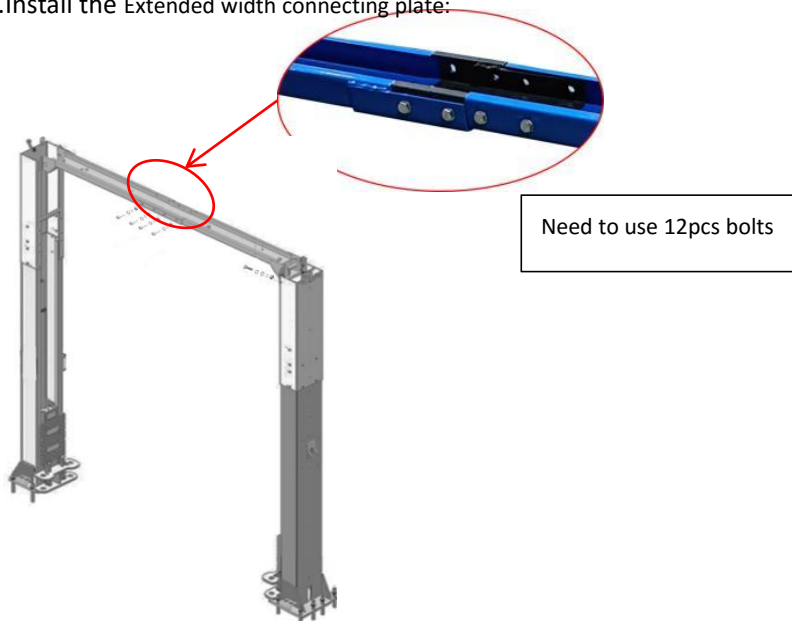
1.Width extension kits in parts box:



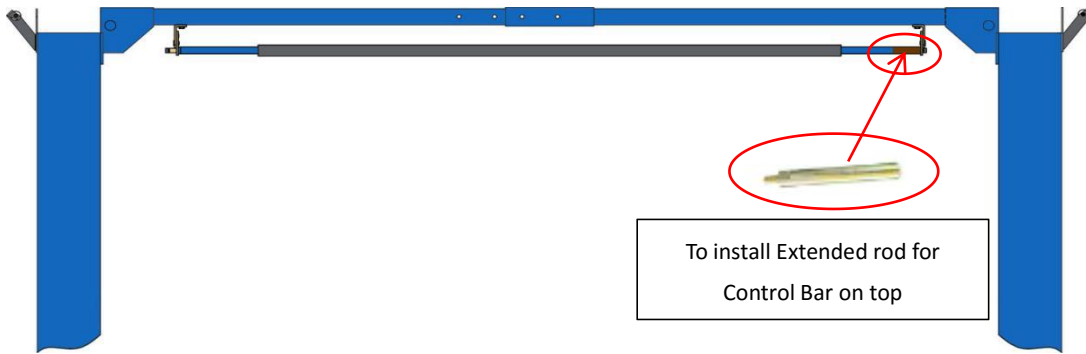
2.To install the width extension kits:



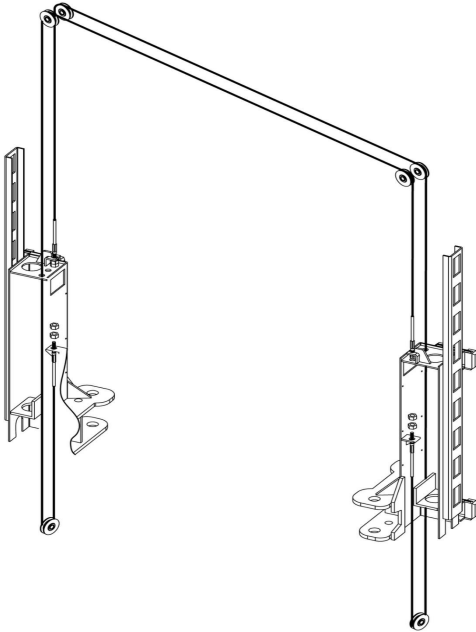
3.Install the Extended width connecting plate:



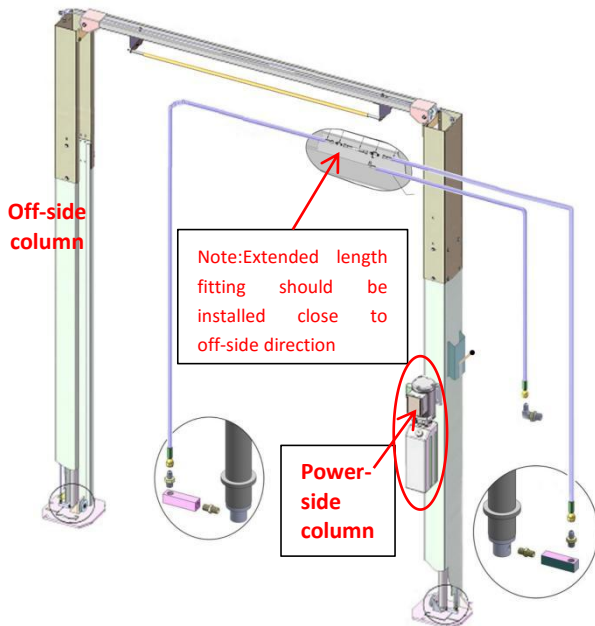
4.To Install extended rod on the control bar:



5.To install longer version cable $\varnothing 9.52 \times 10198\text{mm}$ :Both two sides carriage should be sync lifted and keep the same height,before install the cables,refer to manual guidance )



6.To install the oil hose fitting(Connecting the oil hoses with length extended fitting)



7.To install the safety cable,refer to manual guidance