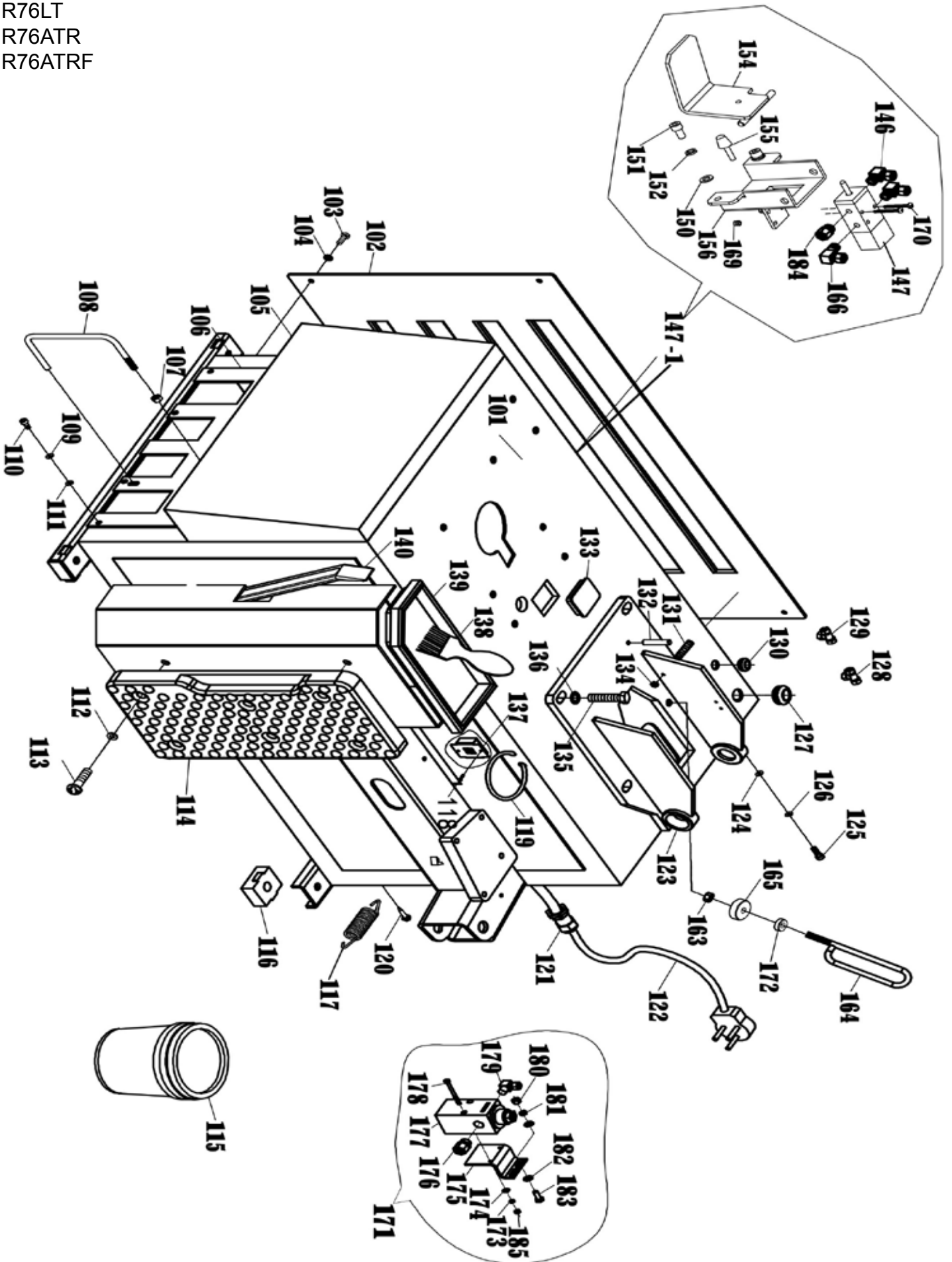


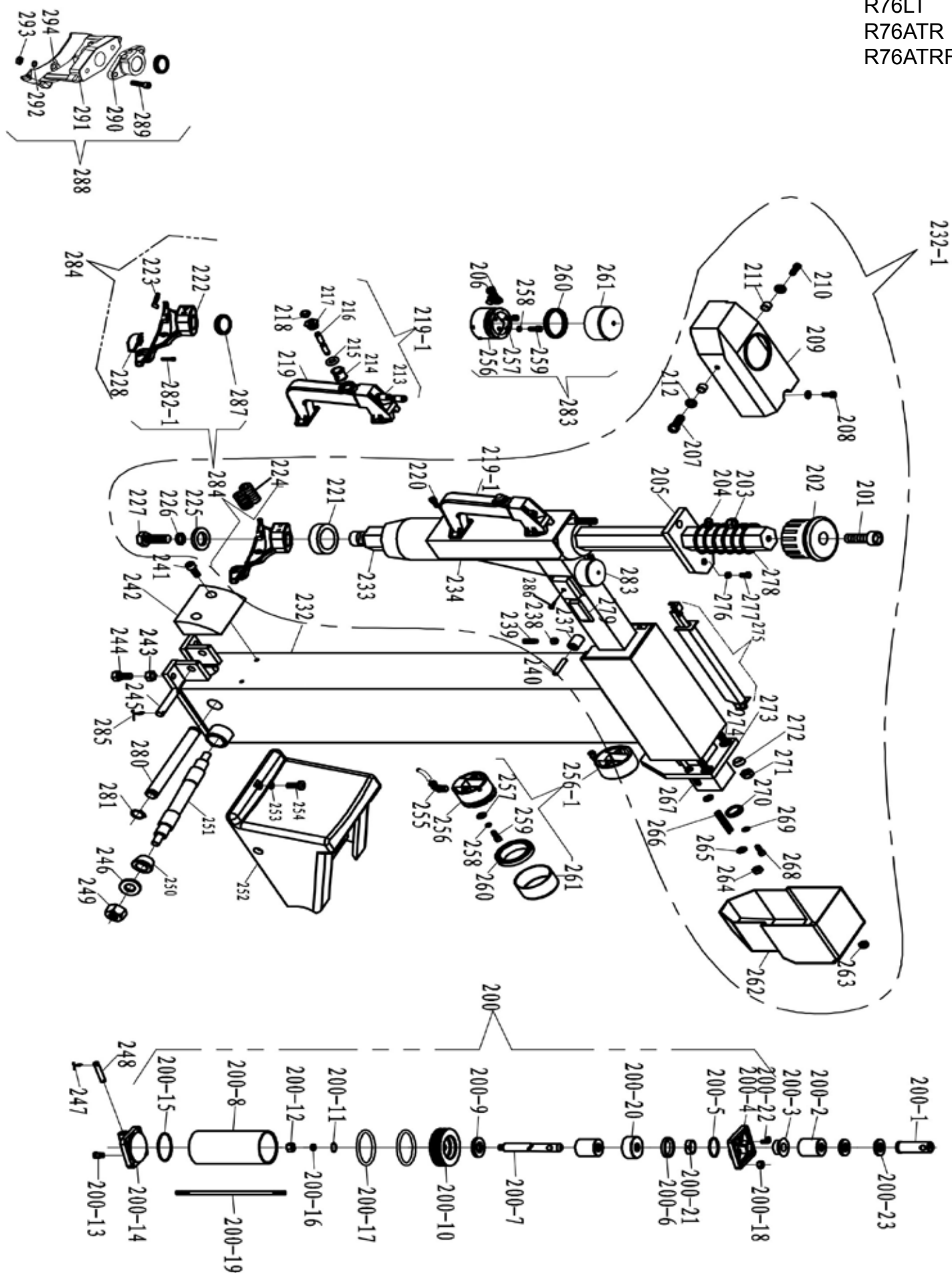
R76LT  
R76ATR  
R76ATRF



<b>P/N</b>	<b>DESCRIPTION</b>
101	Chassis Body
102	Side Cover
103	SHCS M6 x 16
104	Washer M6
105	Pedal Cover
106	Chassis Front Cover
107	Nut M8
108	Foot Pedal Divider
109	Washer M6
110	SHCS M6 X 16
111	Washer M6 SL
112	Washer M6 x 24mm Flat
113	BHPS M6 X 20
114	Wheel Support Pad
115	Soap Bucket
116	Plastic Foot Pad
117	BB Return Spring
118	BHPS M3 X 10
119	Soap Bucket Retaining Ring
120	HHB M5.5 X 25 STS
121	Power Cord Grip
122	Power Cord
123	Vertical Arm Base
124	Washer M5 Flat
125	SHCS M5 X 20
126	Washer M5 SL
127	Rubber Grommet 16mm
128	Fitting 8mm X 8mm X8 mm Tee
129	Fitting 8mm X 8mm X6 mm Tee
130	Rubber Grommet 12mm
131	FHS M10 X 40
132	Pin 6mm X 40mm
133	Tire Changer Body Plug
134	Nut M10
135	HHB M12 X 70

136	Washer M12 Flat
137	Voltage switch 110V/220V
138	Soap brush
139	Tool tray
140	Pry bar
146	Fitting 1/8 x 8mm 90°
147	Inflation foot pedal valve B
147-1	Tire Inflator Valve Assy
150	Washer 8mm Flat
151	SHCS M8 X 16
152	Washer M8 Flat
154	Inflation foot pedal weldment
155	Inflation foot pedal limit block
156	Inflation foot pedal support
163	Nut M8
164	Column limit rod
165	Rubber washer
166	Fitting 1/4 X 8mm 90°
169	Nut M4 NL
170	BHPS M 4 X 35
171	Full Flow Assy
172	Washer M8
173	Washer M4 SL
174	Washer M4
175	Full flow inflation kit bracket
176	Fitting 1/4 X 8mm
177	Full flow inflation regulator
178	SHCS M4 X 50
179	Fitting 1/4 X 8mm 90°
180	Nut M6
181	Washer M6 SL
182	Washer M6
183	HHB M6 X 20
184	Fitting 1/4 *mm
185	Nut M4

R76LT  
R76ATR  
R76ATRF

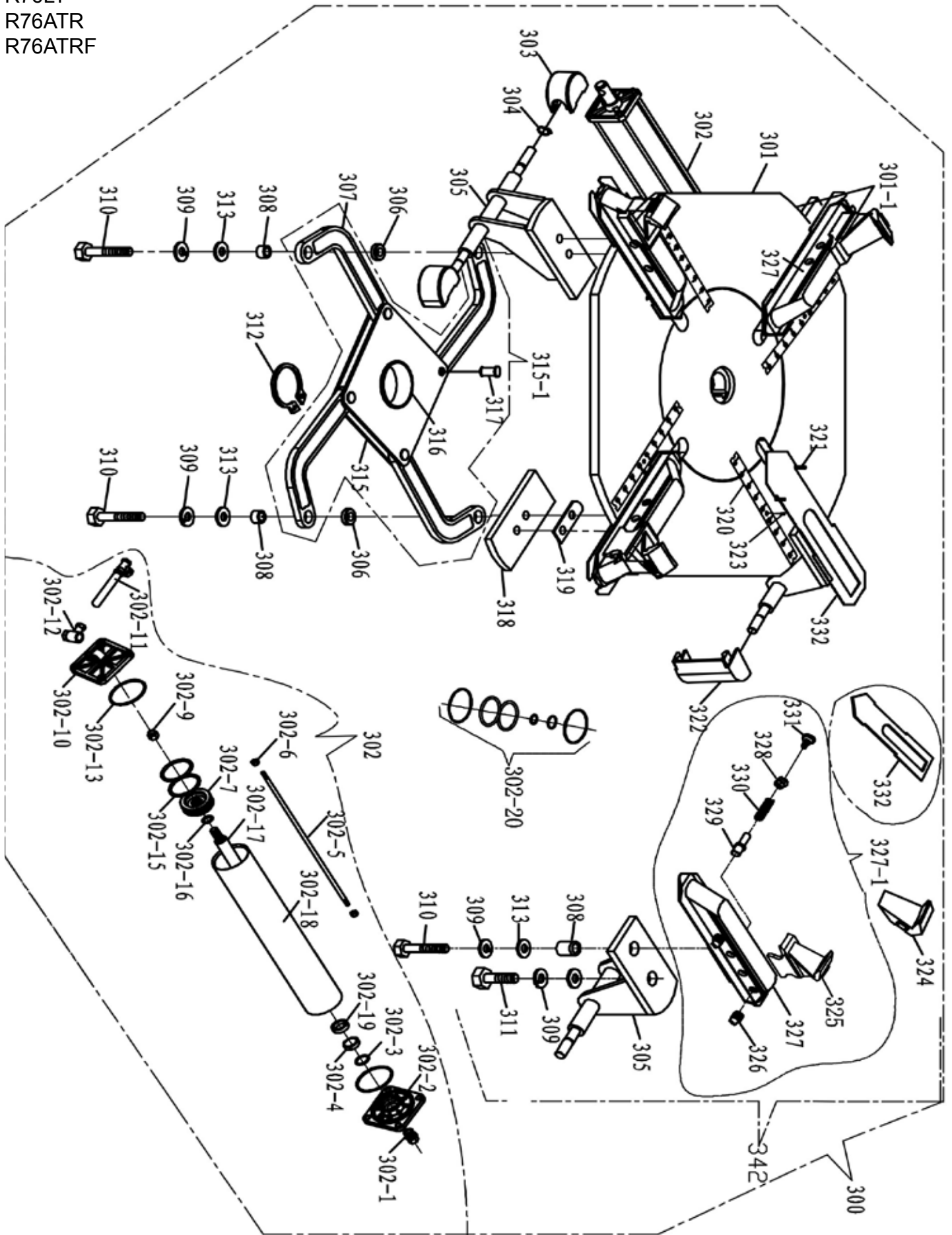


<b>P/N</b>	<b>DESCRIPTION</b>
200	Tilt Back Cylinder
200-1	Tilt Cylinder Conector
200-2	Tilt Tower Rubber Spacer
200-3	Rubber Shock Bushing
200-4	Tilt Tower Cylinder Front Plate
200-5	O-Ring $\Phi 25 \times 3.1$
200-6	Y-Ring $\Phi 32 \times 20 \times 6$
200-7	Tilt Tower Cylinder Rod
200-8	Tilt Tower Cylinder
200-9	Washer M20 X 54
200-10	Small Cylinder Piston
200-11	O-Ring $\Phi 16 \times 2.4$
200-12	Nut M12
200-13	Fitting 1/8 X 8mm
200-14	Tilt Tower Cylinder Rear Plate
200-15	O-Ring $\Phi 75 \times 2.65$
200-16	Washer M12 SL
200-17	O-Ring $\Phi 75 \times 5.7$
200-18	Nut M8
200-19	Tilt Back Cylinder Bolt
200-20	Tilt Cylinder Front Flange
200-21	Tilt Tower Cylinder Wear Strip
200-22	Fitting 1/8 X 8 90°
200-23	Washer
201	SHCS M10 X 25
202	Hex Shaft Cap
203	Nut M10 X 1.5 NL
204	Washer M10
205	Vert Shaft Locking Plate
206	Fitting 6mm X 1/8 Tee
207	SHCS M6 X 20
208	SHCS M6 X 20
209	Hex Shaft Lock Cover
210	SHCS M6 X 1.0 X 30
211	Hex Shaft Lock Cover Bushing
212	Washer M6 Flat
213	Fitting 1/8 X 6mm
214	Locking Valve O-Ring Spacer

215	O-Ring $\Phi 8 \times 2.65$
216	Locking Valve Shaft
217	Locking Valve Metal Spacer
218	Locking Valve Button
219	Locking Valve Handle
220	SHCS M5 X 12
221	Mount / Demount Head Bushing
222	Metal Duckhead
223	Duckhead Insert
224	M12 X 16 Duckhead Set Screw
225	Duckhead Retaining Washer
226	Washet M10 SL
227	HHB M10 X 20
228	Roller Insert
232	Tilt Back Tower
233	Hex Shaft
234	Horizontal arm unit
237	Horizontal Arm Roller
238	Nut M8
239	SSS M8 X 40
240	Horizontal Arm Roller Pin
241	SHCS M6 X 20
242	Inner Tilt Tower Cover
243	Nut M10
244	HHB M10 X 30
245	Tilt Tower Cylinder Upper Pin
246	Washer; M12 x 35
247	Pin $\phi 3.2 \times 25$
248	Tilt Tower Cylinder Lower Pin
249	Nut M12 NL
250	Tapered Metal Bushing
251	Tilt Tower Pivot Pin
252	Outer Tilt Tower Cover
253	Washer M6 Flat
254	BHPS M6 X 20
255	Fitting 1/8 X 6mm 90°
256	Arm Lock Cylinder Base
256-1	Horizontal Arm Lock Cylinder Assy
257	Washer M6 Flat

258	O-Ring 7 x 1.9
259	SHCS M6 X 1.0 X 40
260	Arm Lock Cylinder Seal
261	Arm Lock Cylinder Piston
262	Real Lock Cylinder Cover
263	Nut M8 NL
264	Nut M8
265	Washer M8 Flat
266	Rear Lock Plate Splick lock
267	Threaded Rod M8 X 1.25 X 85
268	SHCS M6 X 16
269	Washer M6 SL
270	Rear Lock Plate Bushing
271	Nut M10 X 1.5 NL
272	Horizontal Slide Stop
273	Horizontal Shaft Locking Plate
274	Threaded Rod M10 X 1.5 X 55
275	Air Line Guard
276	Nut M12
277	SHCS M12 x 1.75 x 25
278	Hex Shaft Splick lock
279	Tilt Tower Rubber Shock
280	Tilt Tower Cylinder Limit Pin
281	Snap Ring, $\phi 20$
282-1	Duckhead Roller Screw
283	Vertical Shaft Lock Cylinder Assy
284	Mounting/Demounting Duckhead Assembly
285	Pin $\phi 4 \times 28$
286	BHPS M4 X 13
287	Mounting/Demounting Duckhead Washer
288	Plastic Duckhead Assy
289	SHCS M8 X 40
290	Flange Adapter
291	Plastic Duckhead
292	Washer M8 SL
293	Nut M8
294	Washer M8 Flat

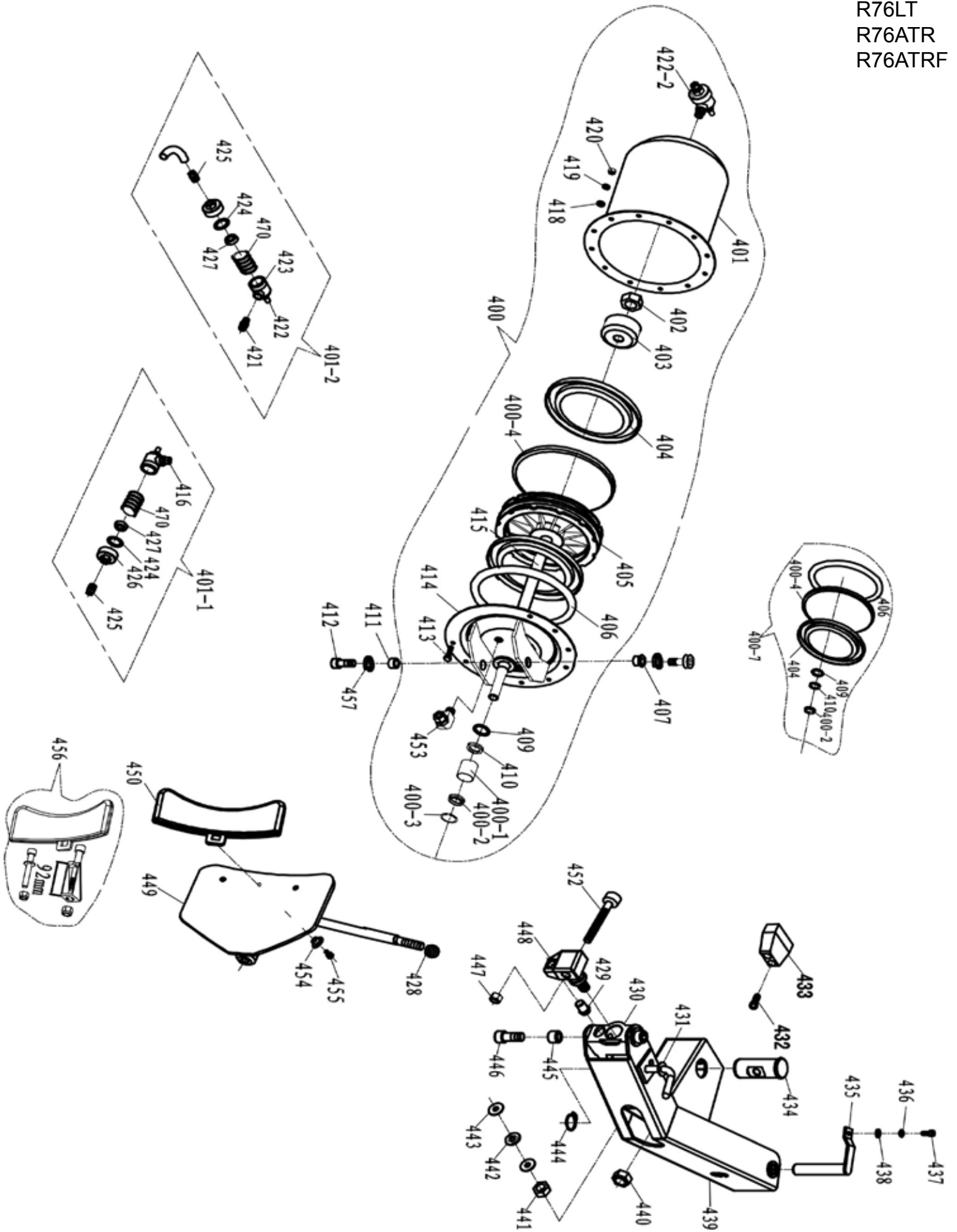
R76LT  
R76ATR  
R76ATRF



<b>P/N</b>	<b>DESCRIPTION</b>
300	Complete Turntable Assy
301	Turntable Unit
301-1	Plate assembly
302	Jaw Clamp Cylinder
302-1	Fitting 1/8 X 8mm
302-2	Small Front Cylinder Cover
302-3	O-Ring $\phi$ 16X2.4
302-4	Jaw Clamp Cylinder Wear Strip; I Models
302-5	Double-headed bolt
302-6	Nut M8 NL
302-7	Cylinder Piston
302-9	Nut M12 NL
302-10	Small Rear Cylinder Cover
302-12	Banjo bolt G1/8" Single
302-13	O-Ring 75 x 2.65
302-15	O-Ring 75 x 5.7
302-16	O-Ring $\phi$ 16X2.4
302-17	Jaw Clamp Cylinder Rod
302-18	Jaw Clamp Cylinder Body
302-19	Y-Ring $\phi$ 32X20X6
302-20	Grommet assembly
303	Small Cylinder Cover
304	Snap ring $\phi$ 12
305	Guard compound piece
306	Square Turntable Flange Rod Pad
307	Square Turntable Link

308	Metal Bushing 18 x 12 x 11
309	Washer M12 SL
310	HHB M12 X 50
311	HHB M12 X 25
312	Snap Ring 65mm
313	Washer M12 Flat
315	Square Turntable
315-1	Square Turntable Assy
316	Square Turntable Spacer
317	Square Turntable Press Pin
318	Slide guard board
319	Slide Shim Adjustment
320	Turntable Ruler
321	Split pin
322	Small cylinder back cover guard
323	Turntable Ruler Screw; M4X6
324	Jaw Clamp Cover Set
325	Jaw Clamp
326	SS M10 X 1
327	Jaw Clamp Support
327-1	Boat on the assembly
328	Jaw Clamp Inner Adjustment Knob
329	Jaw Clamp Inner Adjustment Pin
330	Jaw Clamp Pin Spring
331	Jaw Clamp Locking Pin
332	Boat gasket
342	Boat on the assembly

R76LT  
R76ATR  
R76ATRF



<b>P/N</b>	<b>DESCRIPTION</b>
400	Bead Breaker Cylinder Assy
400-1	Bearing B3025
400-2	Seal ring $\Phi 30 \times 20 \times 7$
400-3	Type I Hole With Elastic Ring
400-4	Guide Ring
400-7	BB Cylinder Seal Kit
401	Cylinder Liner
401-1	BB Flow Control Valve Assy
401-2	BB Flow Control Valve Assy
402	Nut M18 Thin
403	Piston Limit Seal Cup
404	Y-Ring 200 x 12 x 6mm
405	BB Cylinder Piston
406	O-Ring 193 X 5.7
407	Eccentric Bushing
409	O-Ring 25 X 3.1
410	Y-Ring 25
411	Metal Bushing 18 x 12 x 11
412	SHCS M14 x 1.75 x 30
413	HHB M6 X 16 - 8.8
414	Bead Breaker Cylinder Flange
415	Bead Breaker Cylinder Rod
416	Fitting 1/4 X 10mm
418	Washer M6 Flat
419	Washer M6 SL
420	Nut M6
421	Fitting 1/4 X 10MM
422	Silencer 1/4
423	BB Flow Control Valve
424	BB Flow Control Valve Seal
425	Fitting 1/8 X 10mm
427	Metal Cup

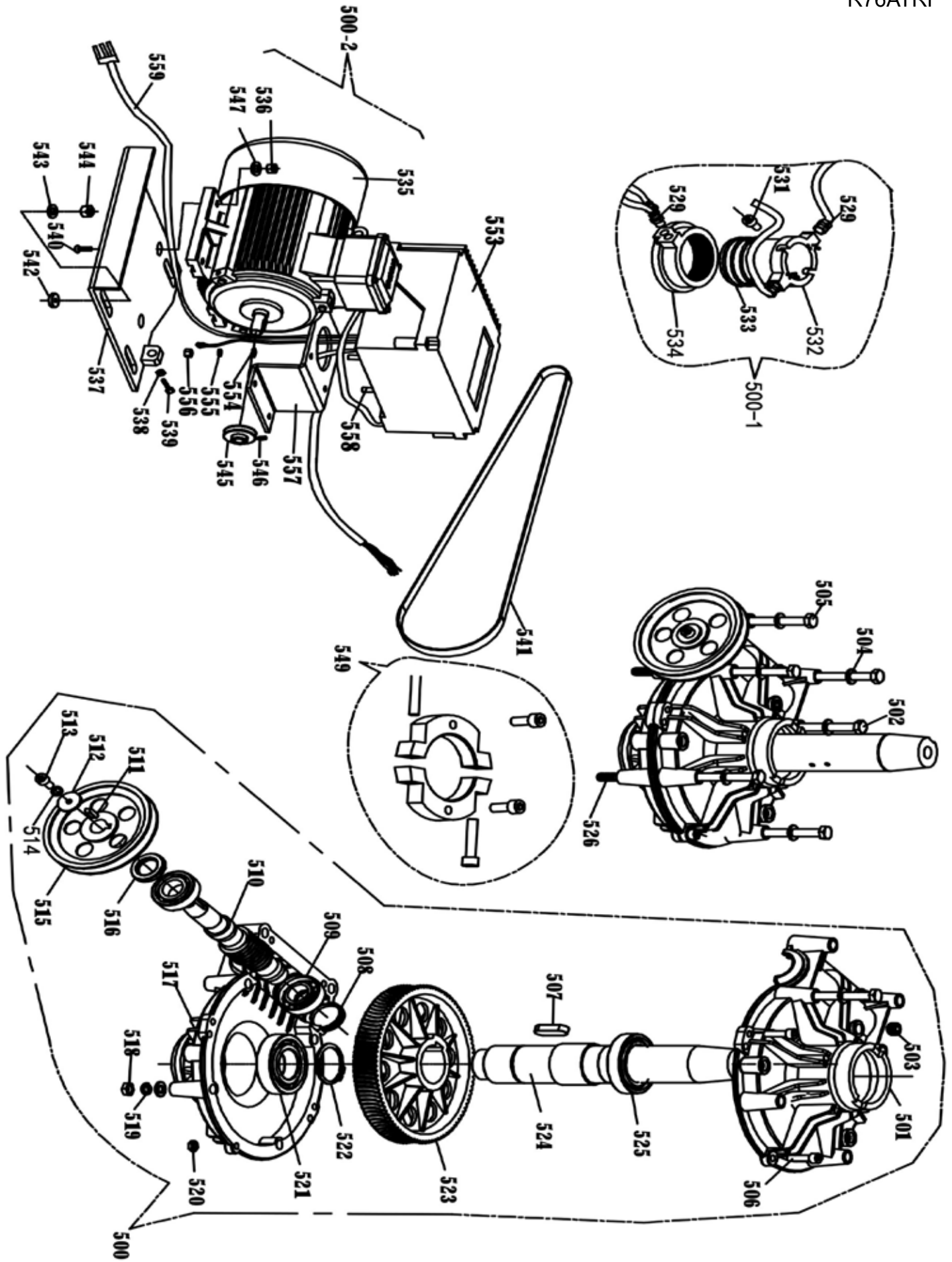
428	Bead Breaker Blade Knob
429	BB Blade Stop Pin
430	Bead Breaker Bracket
431	Bead breaker retaining pin
432	SHCS M6 X 25
433	BB Rubber Bushing
434	Bead Breaker Arm Pivot Pin
435	Breaker Arm Pin
436	Washer M6 SL
437	SHCS M6 X 16
438	Washer M6 Flat
439	Bead Breaker Arm
440	Nut M16 NL
441	Nut M16 NL
442	Washer M16 SL
443	Washer M16
444	Snap ring $\phi 35$
445	Metal Bushing 22 x 12 x 17.3
446	SHCS M12 x 25
447	Nut M14 NL
448	Bead Breaker Blade Connect Block
449	Bead Breaker Blade
450	Bead Breaker Blade Cover
452	BB Bolt; M14 x 95
453	Fitting 1/4 X 10mm 90°
454	Bushing
455	SHCS M6 X 10
456	Bolted BB Update Kit
457	Washer M12 SL
470	BB Flow Control Control Valve Spring





<b>P/N</b>	<b>DESCRIPTION</b>
500	Transmission Assy
500-1	Rotary Joint Block
500-2	Motor Assy
501	Transmission Front Flange
502	HHB M10 X 200
503	Oil Plug M10
504	Washer M10
505	HHB M10 X 180
506	SHCS M8 X 30
507	Key M14 X 9 X 40
508	Oil block
509	Cone roller bearing
510	Gear stud
511	Key 6 X 6 X 20
512	Worm pressure pad
513	SHCS M8 X 16
514	Washer M8 SL
515	Transmission Pulley
516	Y Ring Oil 45 X 25 X 10
517	Transmission Back Flange
518	Nut M10
519	Washer M10 SL
520	Nut M8
521	Bering 6028
522	Snap Ring 50mm

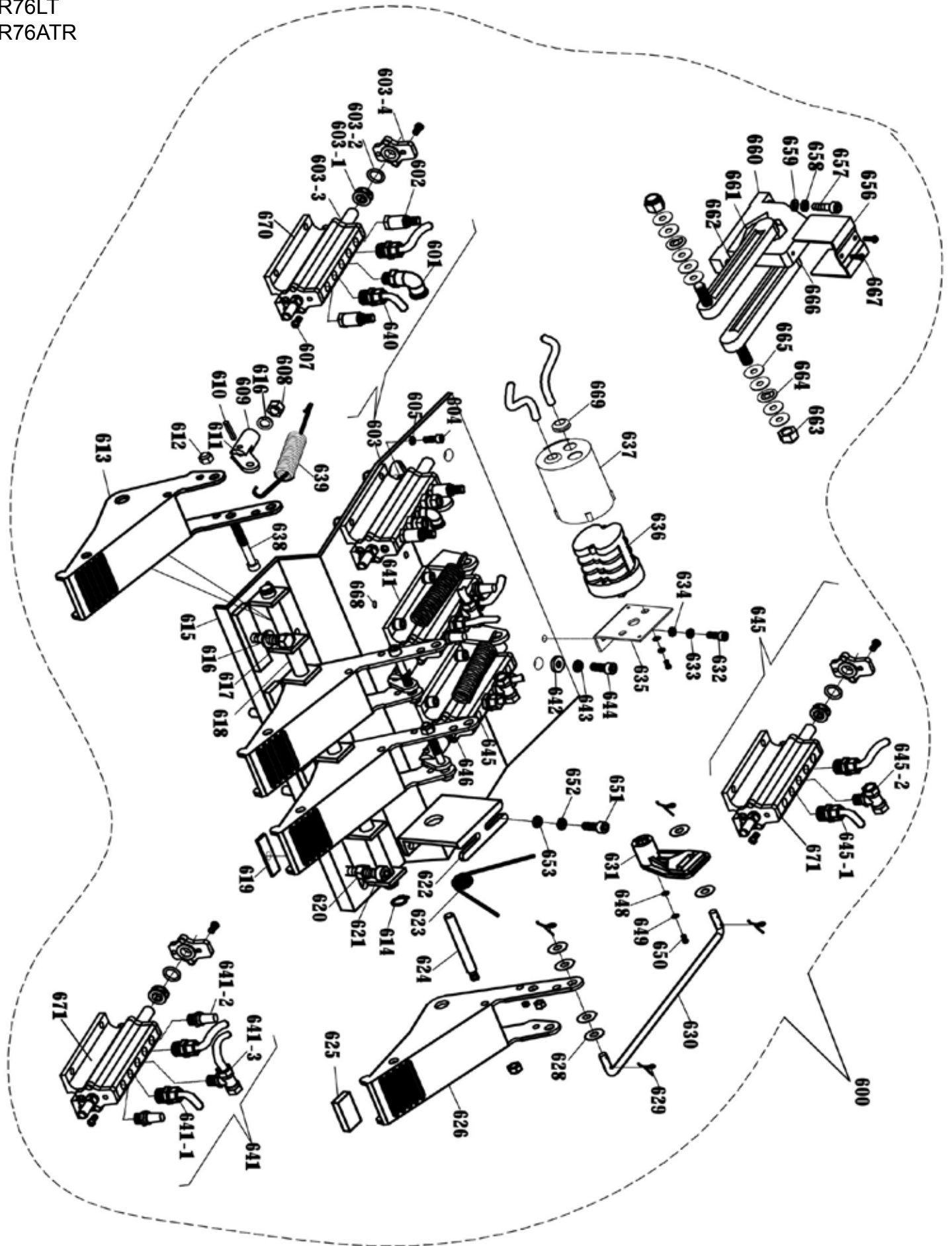
523	Helical gear
524	Spline shaft
525	Bearing 6010
526	HHB M10 X 170
529	Fitting 1/8 X 8mm
531	SSS M^ X 20
532	Rotary Joint Block Inner Piece
533	O-ring 60 X 2.65
534	Rotary Joint Block Inner Piece
535	Electric Motor
535-1	Start Capacitor
535-2	Run Capacitor
536	Nut M8 NL
537	Motor base weldment
538	Nut M8
539	HHB M8 X 40
540	FHS M8 X 30
541	V Belt 1168
542	Rubber Washer
543	Washer M10 Flat
544	Nut M10 NL
545	Motor Pulley
546	SSS M8 X 16
547	Washer M8 Flat
548	Wires
549	Rotary Joint Block Clamp



<b>P/N</b>	<b>DESCRIPTION</b>
500	Transmission Assy
500-1	Rotary Joint Block
500-2	Variable frequency motor/hanger assembly
501	Transmission Front Flange
502	HHB M10 X 1.5 X 200
503	Oil Plug M10
504	Washer M10
505	HHB M10 X 180
506	SHCS M8 X 30
507	Key 14 X 9 X 40
508	Oil block
509	Cone roller bearing
510	Gear stud
511	Key 6 X 6 X 20
512	Worm pressure pad
513	SHCS M8 X 16
514	Washer M8 SL
515	Transmission Pulley
516	Oil seal 45 X 25 X 10
517	Transmission Back Flange
518	Nut M10
519	Washer M10 SL
520	Nut M8
521	Bering 6028
522	Snap ring $\Phi$ 50
523	Helical gear
524	Spline shaft
525	Bearing 6010

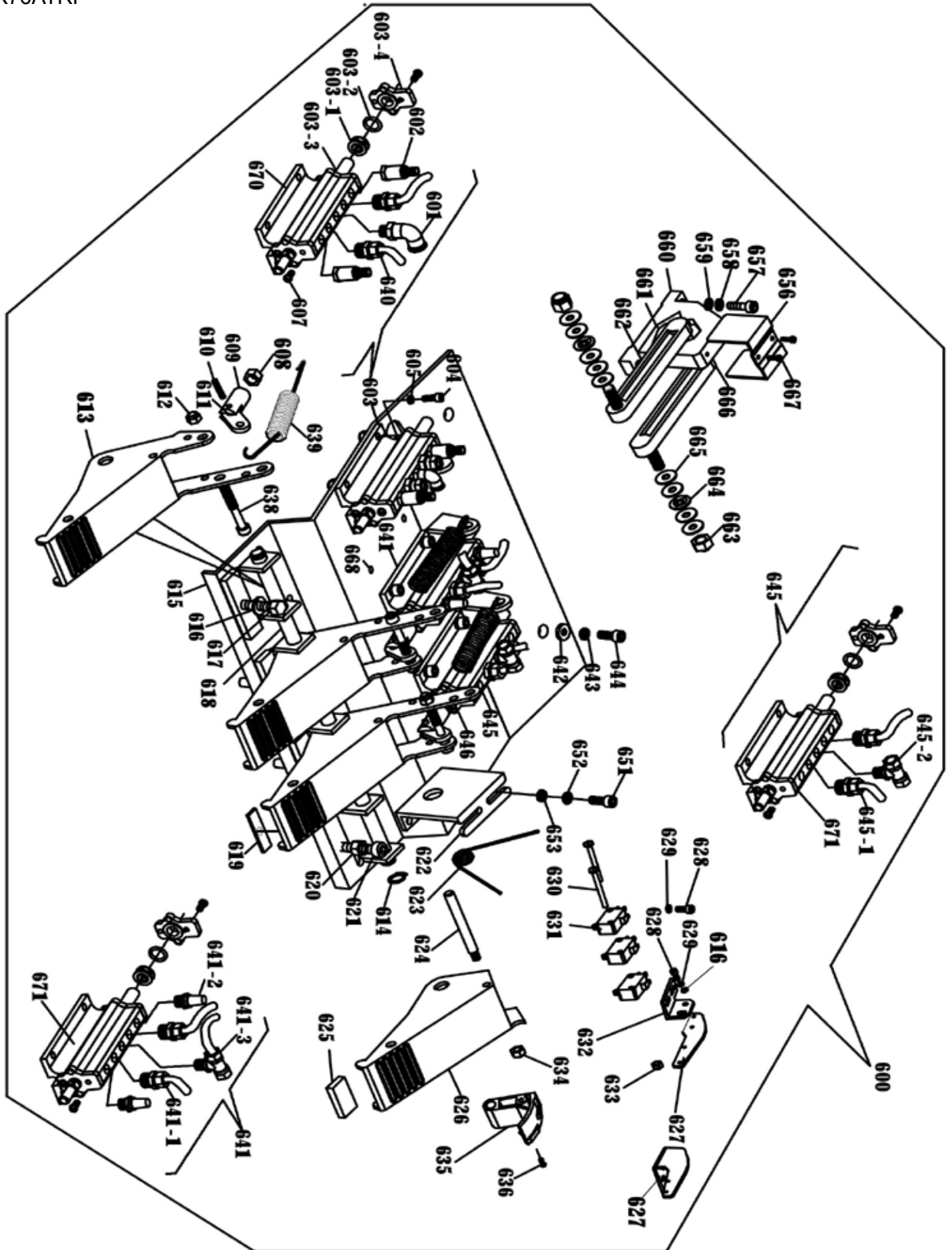
526	HHB M10X170
529	Fitting 1/8 X 8mm
530	SSS M6 X 20
531	O-ring 60 X 2.65
532	Fitting 1/8 X 8mm
533	Rotary Joint Block Outer Piece
534	Rotary Joint Block Inner Piece
535	Integrated Control Motor
536	Nut M10 NL
537	Motor base weldment
538	Nut M8
539	HHB M8 X 40
540	FHS M8 X 30
541	V Belt 1168
542	Rubber Washer
543	Washer M10 Flat
544	Nut M10 x 1.5 NL
545	Motor Pulley
546	SSS M8 X 16
547	Washer M8 Flat
549	Rotary Joint Block Clamp
553	2 Speed Power Supply
554	Washer M5 Flat
555	Washer M6 SL
556	Nut M5
557	Inverter Fixed Plate
558	BHPS M5 X 20
559	Power Cord

R76LT  
R76ATR



<b>P/N</b>	<b>DESCRIPTION</b>
600	Front Foot Pedal Assy
601	Fitting 1/8 X 8mm 90°
602	1/8" Adjustable Silencer
603	Tilt Back Air Valve
603-1	Air Valve O-Ring Spacer
603-2	O-Ring 17 X 4
603-3	Air Valve Spool
603-4	Air Valve End Cap
604	SHCS M6 X 12
605	Washer M6 SL
607	BHPS M4 X 10
608	Nut M8
609	Foot Pedal Link
610	Spring Pin M4 X 8
611	Air Valve Connecting Link
612	Nut M6 NL
613	Foot Pedal (Right)
614	Snap Ring 12mm
615	Base Board
616	Washer M8 SL
617	HHB M8 X 16
618	Foot Pedal Shaft
619	Control system adjusting pad
620	Nut M8
621	SHCS M8 X 50
622	Torsion Spring Bracket
623	Torsion Spring
624	Foot Pedal Limit Rod
625	Foot Pedal Limit Rod
626	Foot Pedal Rubber Insert
628	Washer M6
629	Pin 3.2 X 25
630	Directional Switch Cam Linkage
631	Turntable Direction Switch Cam
632	SHCS M6 X 12
633	Washer M6 SL
634	Washer M6 Flat
635	Directional Switch Bracket

636	Directional Switch
637	Directional Switch Cover
638	SHCS M6 X 55
639	Foot Pedal Return Spring
640	Fitting 1/8 X 8mm
641	Jaw Clamp Air Valve
641-1	Fitting 1/4 X 8mm
641-2	Silencer 1/4
641-3	Fitting 8mm X 1/4 Tee
642	Washer M8
643	Washer M8 SL
644	SHCS M8 X 20
645	Bead Breaker Air Valve
645-1	Fitting 1/4 X 10mm
645-2	Fitting 8mm X 1/4 Tee
646	Air Valve Spacer
648	Washer M5 Flat
649	Washer M5 SL
650	BHPS M5 X 16
651	SHCS M6 X 16
652	Washer M6 SL
653	Washer M6 Flat
656	Foot Pedal Cam Cover
657	SHCS M6 X 20
658	Washer M6 SL
659	Washer M6 Flat
660	Foot Pedal Cam
661	Foot Pedal Cam Leaf Spring (Left)
662	Foot Pedal Cam Leaf Spring (Right)
663	Nut M8 NL
664	Washer M8 SL
665	Washer M8 Flat
666	Foot Pedal Cam Link
667	BHPS M3 X 10
669	Cable Holder
670	Air Valve (B)
671	Air Valve (A)

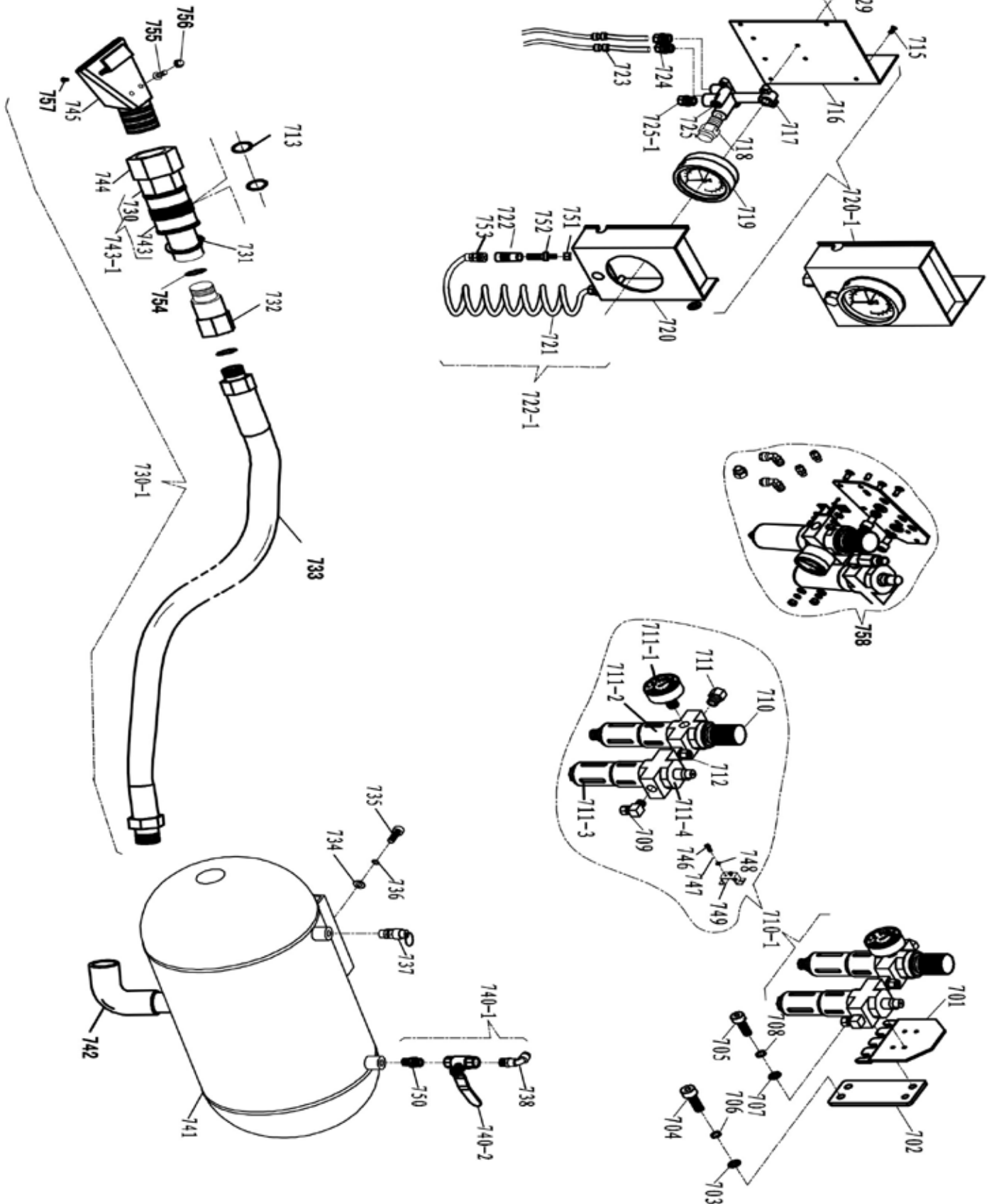


<b>P/N</b>	<b>DESCRIPTION</b>
600	Front Foot Pedal Assy
601	Fitting 1/8 X 8mm 90°
602	1/8 Adjustable Silencer
603	Tilt Back Air Valve
603-1	Air Valve O-Ring Space
603-2	O-Ring 17 X 4
603-3	Air Valve Spool
603-4	Air Valve End Cap
604	SHCS M6 X 12
605	Washer M6 SL
607	BHPS M4 X 10
608	Nut M8
609	Foot Pedal Link
610	Spring Pin M4 X 18
611	Air Valve Connecting Link
612	Nut M6 NL
613	Foot Pedal (Right)
614	Snap ring $\phi$ 12
615	Base board
616	Washer M8 SL
617	HHB M8 X 16
618	Foot Pedal Shaft
619	Control system adjusting pad
620	Nut M8
621	SHCS M8 X 50
622	Torsion Spring Bracket
623	Torsion Spring
624	Foot Pedal Limit Rod
625	Foot Pedal Rubber Insert
626	Two Speed Foot Pedal
627	Two Speed Switch Bracket
628	SHCS M6 X 16
629	Washer M6 SL
630	BHPS M3 X 40
631	Two Speed Foot Pedal Switch
632	Switch bracket plate

633	Nut M3
634	Nut M3 NL
635	Two Speed Foot Pedal Cam
636	BHPS M6 X 12
638	SHCS M6 X 55
639	Foot Pedal Return Spring
640	Fitting 1/8 X 8mm
641	Jaw Clamp Air Valve
641-1	Fitting 1/4 X 8mm
641-2	Silencer 1/4
641-3	Fitting 8mm X 1/4 Tee
642	Spacer $\phi$ 8
643	Washer M8 SL
644	SHCS M8 X 20
645	Bead Breaker Air Valve
645-1	Fitting 1/4 X 10mm
645-2	Fitting 8mm X 1/4
646	Cylinder retaining bushing
651	SHCS M6 X 16
652	Washer M6 SL
653	Washer M6
656	Foot Pedal Cam Cover
657	SHCS M6 X 20
658	Washer M6 SL
659	Washer M6 Flat
660	Foot Pedal Cam
661	Foot Pedal Cam Leaf Spring (Left)
662	Foot Pedal Cam Leaf Spring (Right)
663	Nut M8 NL
664	Washer M8 SL
665	Washer M8 Flat
666	Foot Pedal Cam Link
667	BHPS M3 X 10
670	Air Valve (B)
671	Air Valve (A)



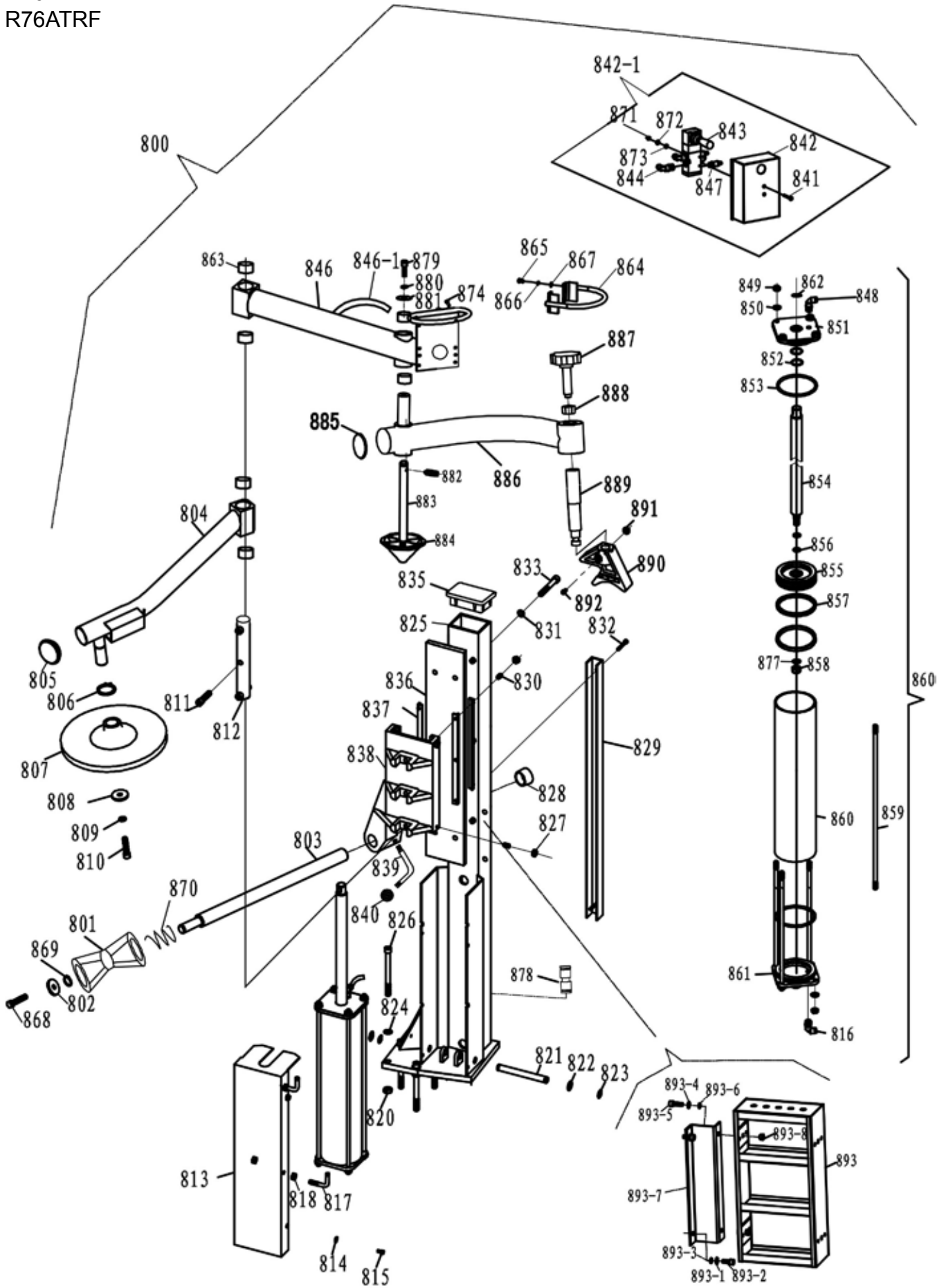
R76LT  
 R76ATR  
 R76ATRF



<b>P/N</b>	<b>DESCRIPTION</b>
701	UPPER AIR/OIL REG BRKT
702	LOWER AIR/OIL REG BRKT
703	Washer 8mm Flat
704	SHCS M8 X 20
705	SHCS M8 X 16
706	Washer M8 SL
707	Washer M8 Flat
708	Washer M8 SI
709	Fitting 8mm X 1/4 90°
710	Air Regulator W/Gauge
710-1	Air/Oil Regulator Assy
711	Fitting 1/4 X 1/4
711-1	Pressure Gauge
711-2	Filter Cup
711-3	Oiler Cup
711-4	Air Regulator W/Gauge
712	Fitting 1/4 X 8mm Tee
713	O-Ring $\phi$ 40X3.55
715	BHPS M3 X 10
716	Inflator Assy Base
717	Tire Inflator Relief Valve
718	Air Release Valve
719	Inflation Gauge
720	Inflation System Plastic Cover
720-1	Tire Inflator Box Assy
721	Coiled Hose; 8mm AIR
721-1	Inflation Hose Assy
722	Air Chuck
723	Fitting 8mm X 8mm
724	Fitting 1/8 X 8mm
725	Plug 1/8
725-1	Fitting 1/4 X 1/4
726	SHCS M6 X 20

727	Washer M6 SL
728	Washer M6
729	BHPS M3 X 10
730	Turbo Blast Nozzle Adapter
730-1	Turbo Blast Hose Assy
731	M40 Snap Ring
732	1"connector
733	Turbo Blast 1" Hose
734	Washer M8 Flat
735	SHCS M8 X 25
736	Washer M8 SL
737	Pressure Release Valve
738	Fitting 8mm X 1/4 90°
740-1	Ball Valve G1/4" Assy
740-2	Ball Valve G1/4"
741	Air Tank
742	1" 90° connector
743	Turbo Blast Valve
743-1	Turbo Blast Valve Assy
744	Turbo Blast Handle / Connector
745	Jet blast nozzle
746	SHCS M4 X 12
747	Washer M4 X 12 SL
748	Washer M4 Flat
749	Air/Oil Regulator Bracket
750	Fitting 1/4 X 1/4
751	Nut M6
752	Inflation hose plug
753	Fitting 1/8 X 8mm
754	O-Ring $\phi$ 28X3.55
755	BHPS M6 X 12
756	Nut M6 Acorn
757	BHPS M4 X 13
758	Air/Oil Regulator Assy

R76ATR  
R76ATRF



<b>P/N</b>	<b>DESCRIPTION</b>
800	Assist Tower Assy
801	Roller
802	Washer M20 SL
803	Roller Rod
804	Plastic Disk Arm
805	Assist Arm End Plug
806	Snap Ring 25mm
807	Plastic Disk
808	Washer M10
809	Washer M10 SL
810	SHCS M10 X 20
811	SHCS M10 X 50
812	Assist Arm Connecting Link
813	Assist Tower Cyl Cover
814	Washer M6 Flat
815	SHCS M6 X 12
816	Fitting 1/8 X 6mm 90°
817	Turbo Blast Hook
818	Nut M8
820	Nut M10
821	Assist Tower Lower Pin
822	Washer M12 Flat
823	Snap Rin 12mm
824	Washet M10 Flat
825	Assist Tower Weldment
826	SHCS M10 X 120
827	Nut M8
828	Tire pressure lever back cover
829	Assist Tower Air Hose Cover
830	SSS M8 X 16
831	Washet M10 SL
832	SHCS M6 X 40
833	SHCS M10 X 75
835	Assist Tower Top Plug
836	Slide Guide
837	Assist Tower Plastic Slide
838	Slide Unit
839	Roller Lock
840	Roller Lock Knob
841	BHPS M4 X 20
842	L/R Assist Arm Valve Cover
842-1	Assist Arm Valve Control Assy
843	Assist Arm Control Valve
844	Banjo bolt G1/8" Φ6 Single
846	Assist Tower Bent Arm
846-1	Metal Braided Hose Cover
847	Adjustment silencer 1/4"
848	Fitting 1/8 X 6mm 90°
849	Nut M8

850	Washer M8 Flat
851	Cylinder front flange
852	O-ring φ25X2.65
853	O-ring φ90X2.65
854	Assist Tower Cyl Rod
855	Assist Tower Cyl Piston
856	O-ring φ14X2.4
857	Y-Ring φ82.5X5.3
858	Nut M12 NL
859	Cylinder connecting thread shaft
860	Assist Tower Cyl Body
860-1	Assist Tower Cyl Assy
861	Cylinder back flange
862	Y Ring Φ33×25×6
863	Bearing B3025
864	Assist arm handle weldment
865	BHPS M5 X 12
866	Washer M5 Flat
867	Washer M5 SL
868	SHCS M8 X 20
869	Washer M10 Flat
870	Roller Spring
871	Nut M4
872	Washer M4 Flat
873	Washer M4 SL
874	BHPS M4 X 12
875	Washer M12 Flat
878	Fitting 8mm X 6mm
879	SHCS M12 X 25
880	Easher M12 SL
881	Washer M12
882	Cone Lock
883	Cone Shaft
884	Assist Arm Cone
885	Assist Arm Plug
886	Bent Arm
887	Asist Arm Block Knob
888	Nut M18
889	Assist Arm Block Screw
890	Assist Arm Block
891	Nut M6
892	SHCS M6 X 30
893	Tool Box
893-1	Washer M8 Flat
893-2	SHCS M8 X 20
893-3	Washer M8 SL
893-4	Washer M8 Flat
893-5	SHCS M8 X 25
893-6	Washer M8 SL
893-7	Tool Box Bracket
893-8	Nut M8