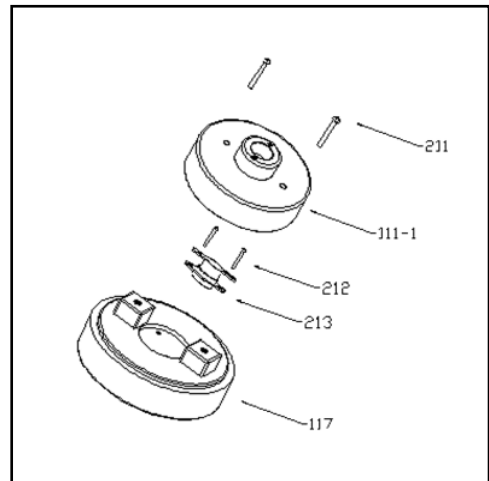
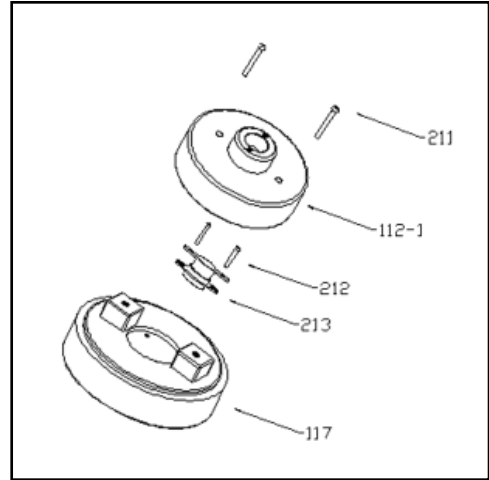
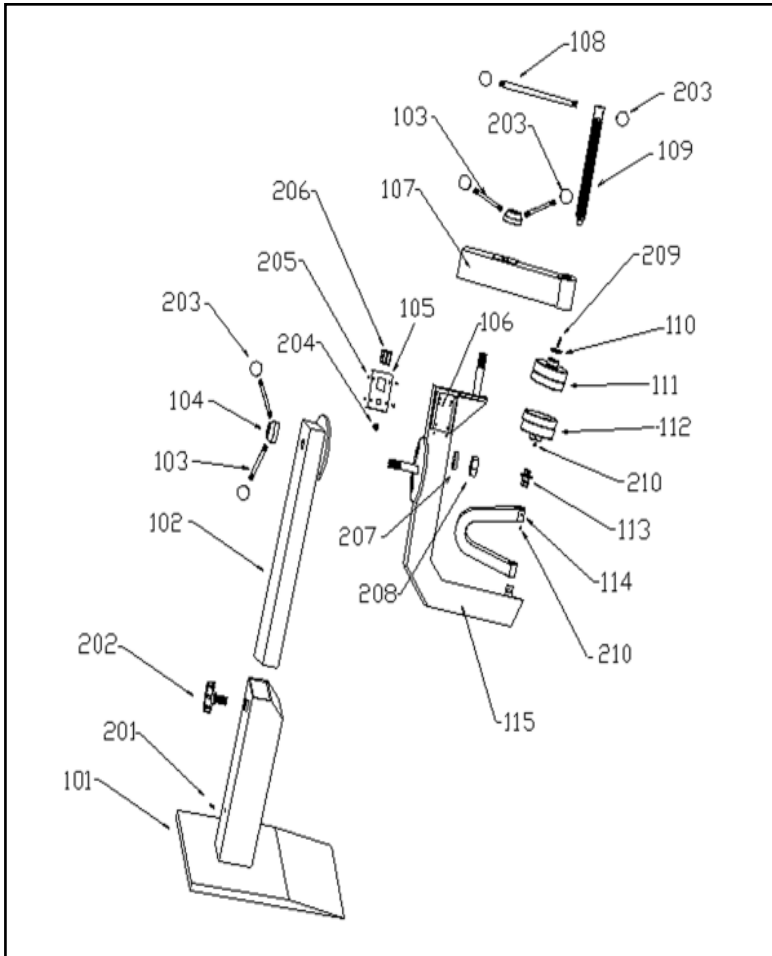


PARTS BREAKDOWN



No.	Description	Qty.
101	Base	1
201	Bolt	1
202	Handle	1
102	Arm	1
103	Screw	4
104	Nut	2
203	Handball	6
204	Fuse	1
205	Bolt	4
206	Switch	1
105	Switch lid	1
106	Switch box	1
207	Mat	1
208	Nut	1
209	Bolt	2
n/a	Alum./ Silica Cloth Heating Pads	1
n/a	Contoured Heating Pads	5

No.	Description	Qty.
107	Arm	1
108	Screw	1
109	Leading screw	1
110	Split washer	1
111	Cover Plate	1
112	Cover Plate	1
210	Bolt	1
113	Small shaft	1
114	U tool rack;	1
115	Tool rack;	1
211	Bolt	4
111-1	Cover	1
212	Bolt	4
213	Temperature control	2
117	Heating unit	2
112-1	Cover	1

SPECIFICATIONS

MODEL #	CURING HEADS	DIMENSIONS	TEMPERATURE	SHIPPING WEIGHT
RV80 Tire Vulcanizer	6.5" / 5.5" / 4.75" 16.5mm / 1 3.9mm / 12 mm	57" x 22" x 14" 144mm x 56mm x 36 mm	150° F 66° C	78 Lbs 35.5 Kg