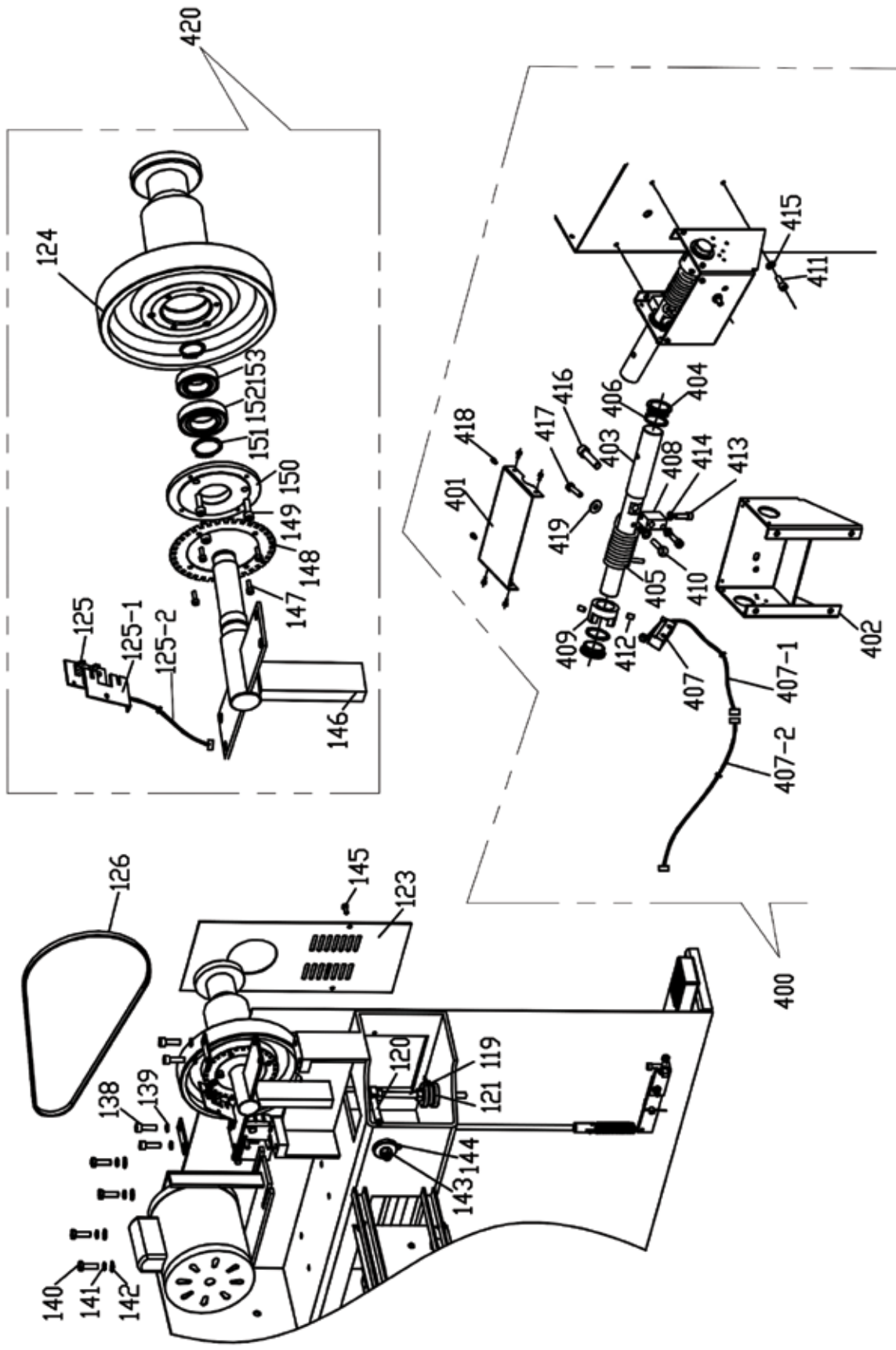
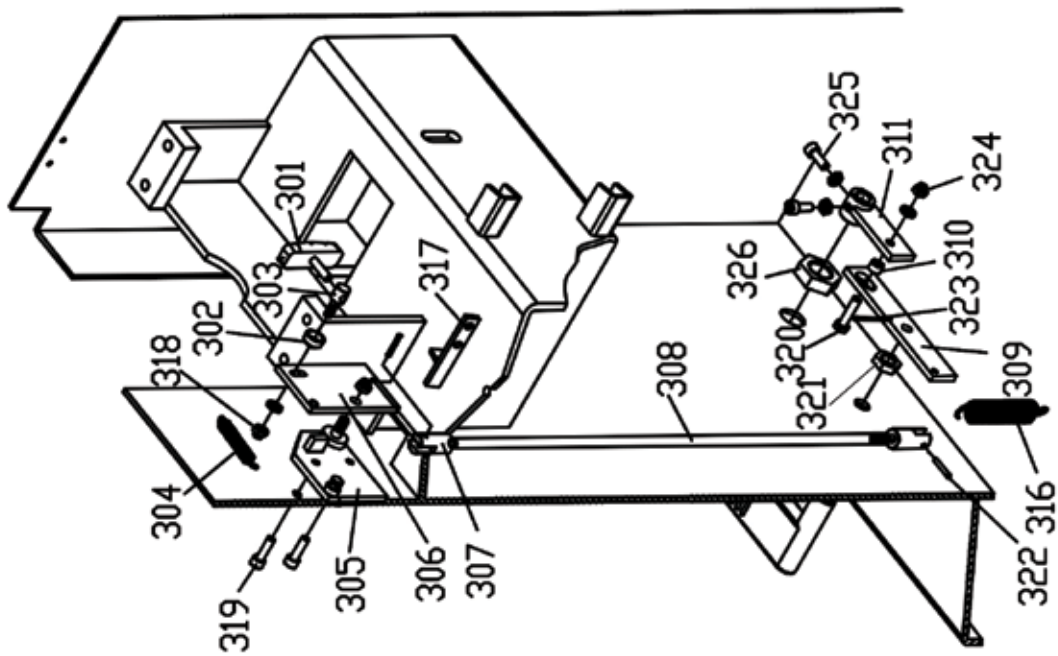
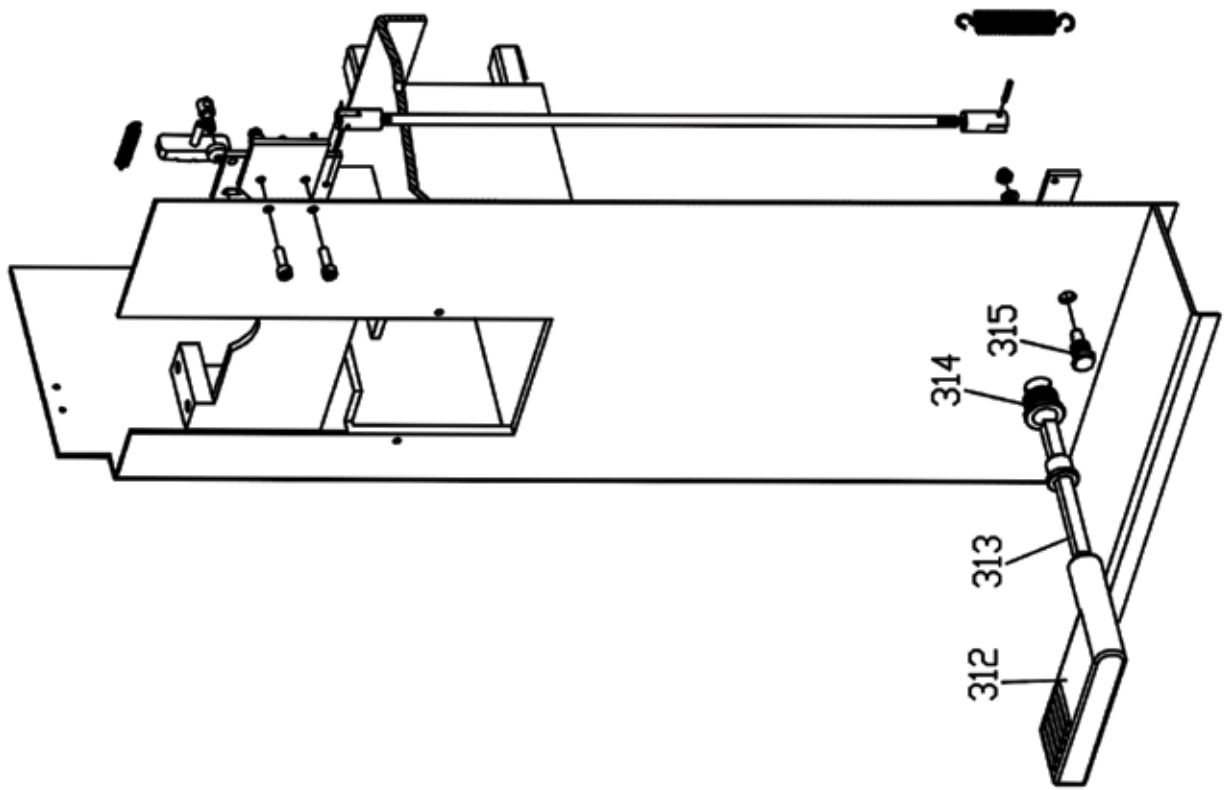


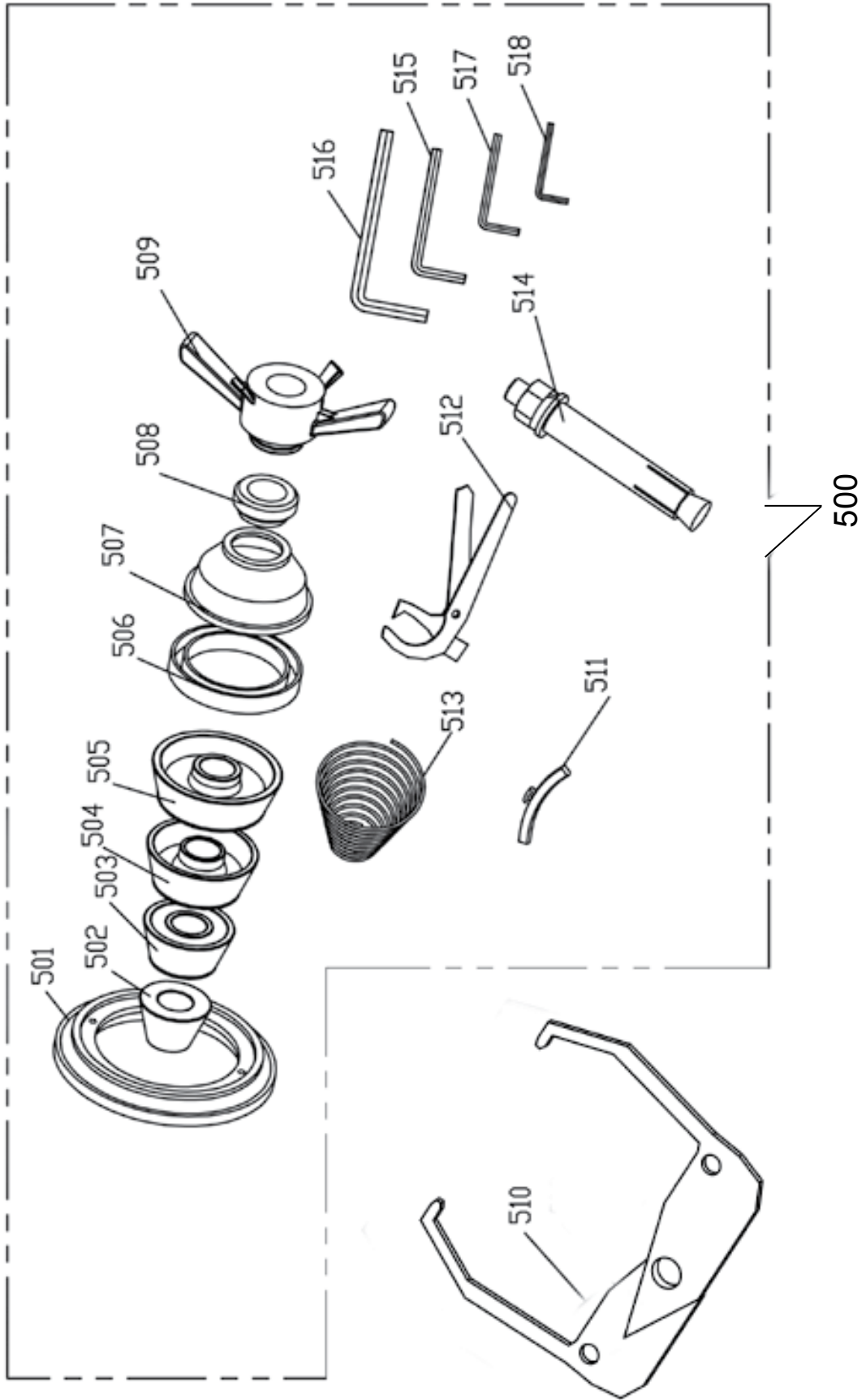
DST-2420 CABINET



**DST-2420 HOOD MOUNTING ASSEMBLY**



**DST-2420 BRAKE ASSEMBLY**



<b>Drawing No.</b>	<b>DESCRIPTION</b>	<b>Drawing No.</b>	<b>DESCRIPTION</b>
101	DISPLAY BOARD PANEL	312	BRAKE PEDAL
102	WEIGHT TRAY	313	Brake Pedal Shaft
103	HOOD	314	Pivot Screw M12 x 1.75
104	HOOD MOUNTING BRACKET	315	BRAKE PEDAL BUSHING
105	COMPUTER BOARD	316	Lower Brake Return Spring
106	CONVERT SWITCH	317	BRAKE BRACKET
107	SIDE CHASSIS	318	Lock Nut M6
108	CONE HANGER	319	SHCS M6x12
109	ON/OFF SWITCH	320	HHB M6X25
110	CHASSIS BODY	321	Nut M12
111	THREAD SHAFT/ SPINDLE	322	PIN 4X16
112	SHCS M14X260MM	323	COTTER PIN
113	DISTANCE ARM, SMALL SLEEVE	324	SHCSM6X16
114	DISTANCE ARM ROD	325	NUT M6
115	DISTANCE ARM LARGE SLEEVE	326	NUT M20
117	ALUMINUM BLOCK	400	HOOD MOUNTING ASSEMBLY
120	PIEZO HORIZONTAL SHAFT	401	HOOD MOUNTING ASSY. LOWER PLATE
121	VERTICAL PIEZO SENSOR	402	EXTERNAL SUPPORT COLUMN
122	CROSS RECESSED SCREW M4X12	406	EXTERNAL GAUGE LARGE GEAR
123	O RING 4.2 X 3.5 n	407	CRHSCREW M4X6
124	FIXED SLEEVE	408	CRSCREW M5X10
125	HSSC WITH FLAT POINT	409	BALANCING WEIGHT
126	DISPLAY BOARD BRACKET PLUG	410	SHCS M8X16
127	WASHER; 6MM FLAT	411	EXTERNAL BRACKET SHAFT
128	WASHER; 6MM SPLICK LOCK	434	SHCS M6X30
129	SCHS M6X16	435	EXTERNAL BRACKET SHAFT
130	WASHER 3MM FLAT	501	SPACER RING
131	WASHER 3MM SPLICK LOCK	502	44.5-74.5mm CONE(38mm) - Accessory box
144	Piezo Sensor Pad	502	44.5-74.5mm CONE(36mm) - Accessory box
145	Self Taping Screw M4. 8x16	503	69-94mm CONE(38mm) - Accessory box
150	Bearing Cover	503	69-94mm CONE(36mm) - Accessory box
153	Bearing , 6005	504	90-115mm CONE(38mm) - Accessory box
160	Hood	504	90-115mm CONE(36mm) - Accessory box
161	Cover Bracket Compound	505	110-134mm CONE(38mm) - Accessory box
177	Stents Buffer Device	505	110-134mm CONE(36mm) - Accessory box
204	Electrical Mounting Plate	506	QUICK NUT CUP COVER
205	CRBHS M6x20	507	QUICK NUT CUP
206	Reed Nut M6	508	QUICK NUT COVER
301	Brake Pad	509	QUICK NUT - 38MM
302	Brake Pad Spacer	510	WHEEL WIDTH CALIPER
303	Brake Pad Bracket	511	CALIBRATION WEIGHT
304	Upper Brake Return Spring	512	WEIGHT PLIERS
305	Brake Fix Mounting Plate	513	MOUNTING SPRING - 38MM
306	Brake Movable Mounting Plate	515	ALLEN WRENCH - 12MM
307	Brake Rod Connector	516	ALLEN WRENCH - 6MM
308	Brake Rod	518	ALLEN WRENCH - 3MM
309	Large Brake Link	500	ACCESSORY BOX



**IMPORTANT NOTICE ABOUT LEAD WHEEL WEIGHTS**

New legislation now makes it illegal to sell, manufacture or install lead wheel weights in many states. Violators can be faced with substantial penalties of up to \$2,500 per day, per violation. Wheel weights made entirely of lead or zinc that end up on the roadway have high potential impacts to human health and the environment compared to steel wheel weights. Steel wheel weights are the preferred alternative due to their comparatively low toxicity and fewer environmental impacts from manufacturing. Lower environmental and human health impacts coupled with the high opportunity for steel wheel weights to be made from recycled material make steel wheel weights the best overall alternative.

Ranger offers a complete line of environmentally conscious steel weights for almost any application. Whether you're wheel balancing needs are focused on passenger cars or trucks, Ranger has the right wheel weight for your needs, in stock and ready for immediate delivery.

**ENTER QTY. NEEDED FOR EACH ITEM. FAX ORDER TO 1-805-933-9160 OR CALL ORDER IN TO 1-800-253-2363 or 1-805-933-9970**

BILL TO:		SHIP TO: ( No P.O. Boxes )	
Name:	PO #	Name:	PO #
Company Name:		Company Name:	
Address:		Address:	
City:		City:	
State:	Zip:	State:	Zip:
Phone:		Phone:	
Email:		Email:	

Method of Payment:  Credit Card  Check Other \_\_\_\_\_ Preferred Shipment Method:  Rush 1-3 Days  Standard 5-10 Days  
**Fax order form to 1-805-933-9160 or call order in to 1-800-253-2363 or 1-805-933-9970. Email order form to sales@bendpak.com**

STEEL ADHESIVE WHEEL WEIGHTS (SELF-DISPENSING CARTON)						
SKU	DESCRIPTION	SALE PRICE EA.	BULK PRICE EA. (MIN. 10)	ORDER QTY.	TOTAL \$	
5150220	Adhesive Steel Wheel Weights / Silver / ROLL (700 pcs. - 0.25 oz. - 1/2" Wide -11 lbs.)					
5150225	Adhesive Steel Wheel Weights / Black / ROLL (700 pcs. - 0.25 oz. - 1/2" Wide - 11 lbs.)					
5150230	Adhesive Steel Wheel Weights / Combo / ROLLS (1400 pcs. - 0.25 oz. - 1/2" Wide - 22 lbs.)					

CLIP-ON STEEL WHEEL WEIGHTS (STANDARD STEEL WHEELS)						
SKU	DESCRIPTION	SALE PRICE EA.	BULK PRICE EA. (MIN. 10)	ORDER QTY.	TOTAL \$	
5150250	Clip-on Steel Wheel Weights Coated / Steel Wheels / 0.25 oz. ea. / Qty. 25 / Pfc / 1.21 lbs. / Box					
5150255	Clip-on Steel Wheel Weights Coated / Steel Wheels / .50 oz. ea. / Qty. 25 / Pfc / 1.61 lbs. / Box					
5150260	Clip-on Steel Wheel Weights Coated / Steel Wheels / .75 oz. ea. / Qty. 25 / Pfc / 2.01 lbs. / Box					
5150265	Clip-on Steel Wheel Weights Coated / Steel Wheels / 1 oz. ea. / Qty. 25 / Pfc / 1.61 lbs. / Box					
5150270	Clip-on Steel Wheel Weights Coated / Steel Wheels / 1.25 oz. ea. / Qty. 25 / Pfc / 2.01 lbs. / Box					
5150275	Clip-on Steel Wheel Weights Coated / Steel Wheels / 1.5 oz. ea. / Qty. 25 / Pfc / 2.41 lbs. / Box					
5150280	Clip-on Steel Wheel Weights Coated / Steel Wheels / 1.75 oz. ea. / Qty. 25 / Pfc / 2.82 lbs. / Box					
5150285	Clip-on Steel Wheel Weights Coated / Steel Wheels / 2 oz. ea. / Qty. 25 / Pfc / 3.22 lbs. / Box					
5150290	Clip-on Steel Wheel Weights Coated / Steel Wheels / 2.25 oz. ea. / Qty. 25 / Pfc / 3.62 lbs. / Box					
5150295	Clip-on Steel Wheel Weights Coated / Steel Wheels 2.5 oz. ea. / Qty. 25 / Pfc / 4.02 lbs. / Box					
5150305	Clip-on Steel Wheel Weights Coated / Steel Wheels 2.75 oz. ea. / Qty. 25 / Pfc / 4.43 lbs. / Box					
5150310	Clip-on Steel Wheel Weights Coated / Steel Wheels 3 oz. ea. / Qty. 25 / Pfc / 4.83 lbs. / Box					

**GRAND TOTAL**

**NOTICE:** After we are in receipt of your order, one of our courteous sale team members will call you to confirm your order and confirm payment method. Please make sure to write legibly and include your full name, email and phone number so that we may best assist you. Your order will be shipped 5-10 business days after we have received your order (this includes a completed order form and full payment). Shipping charges will be detailed on your final receipt.