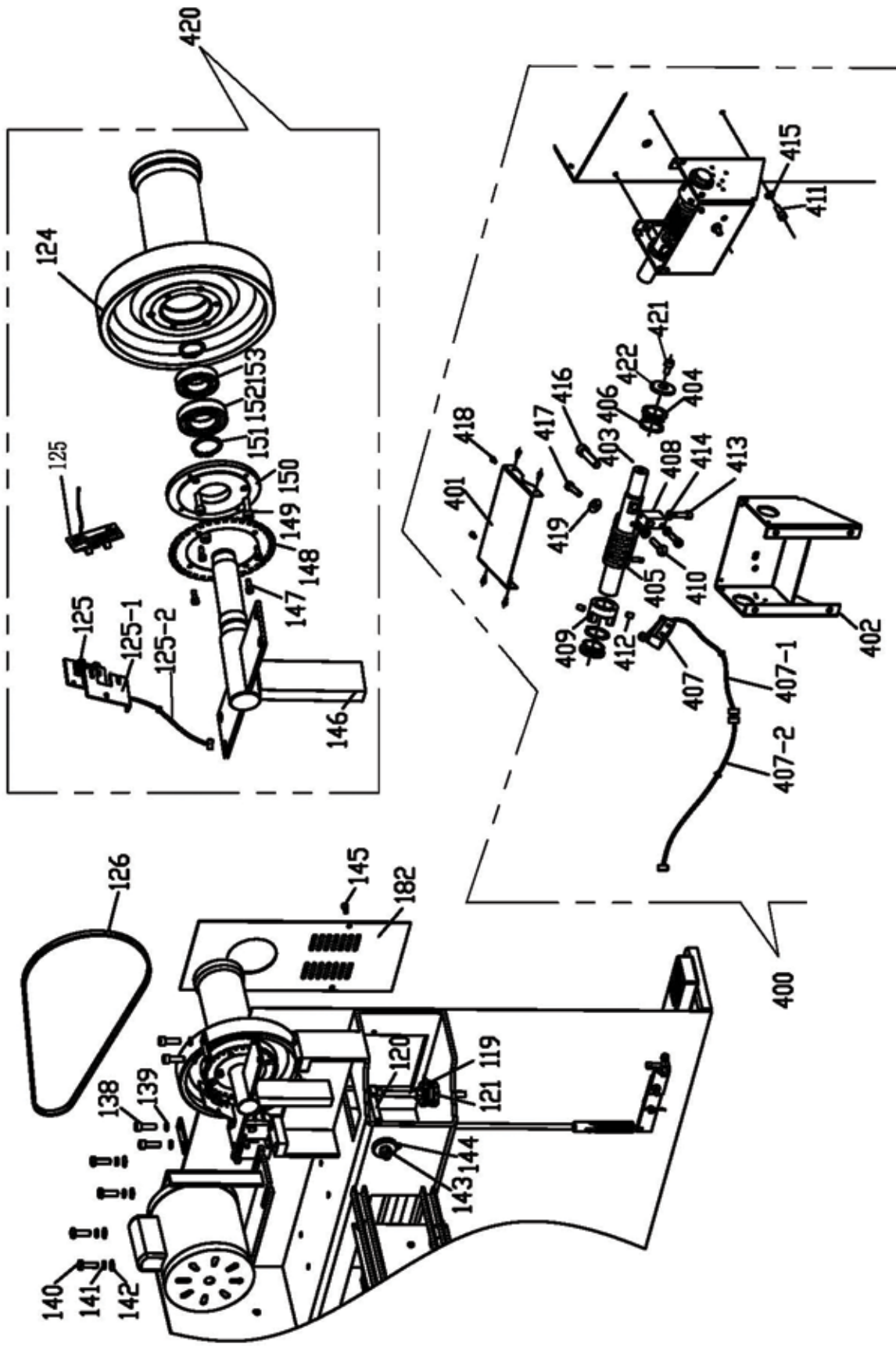
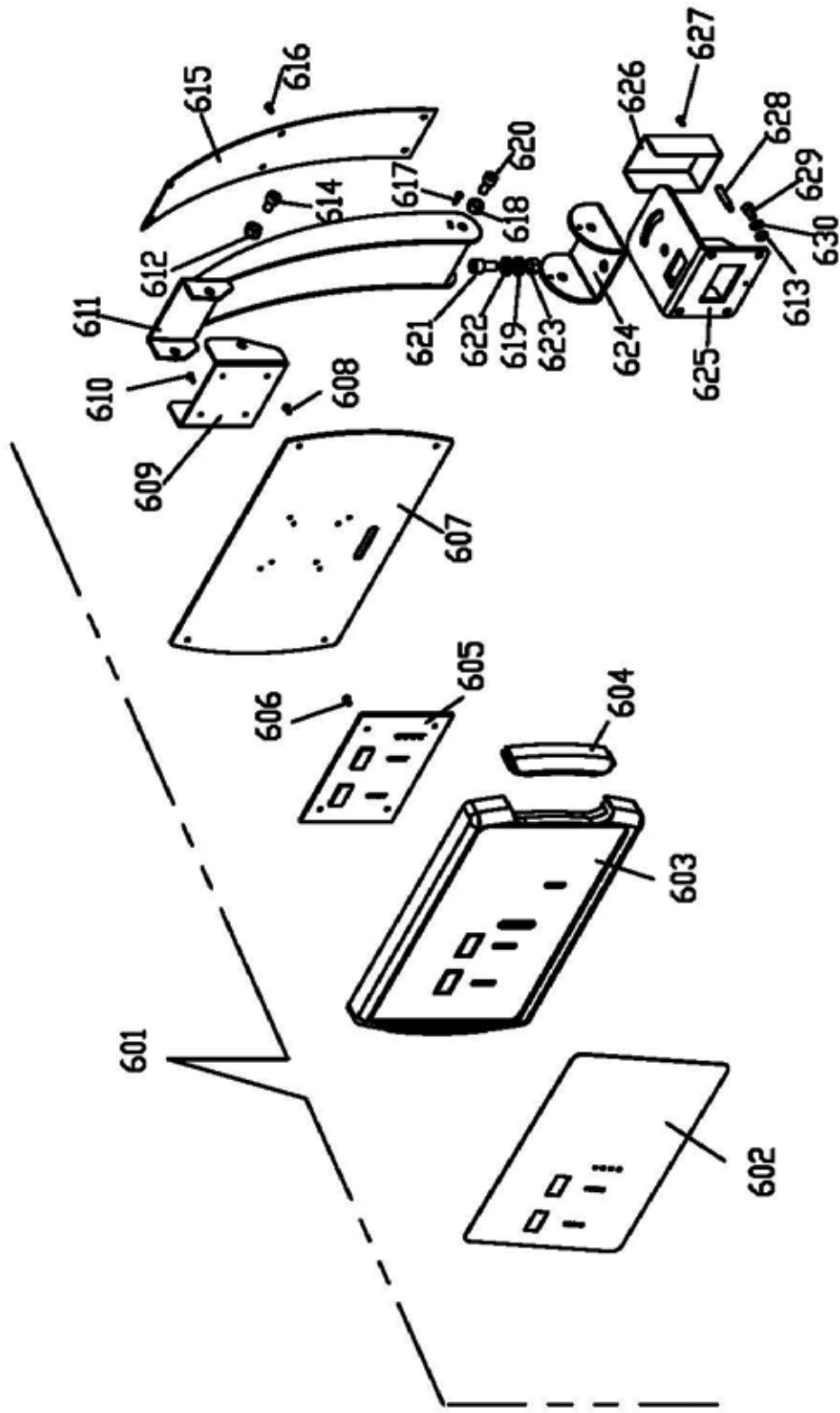


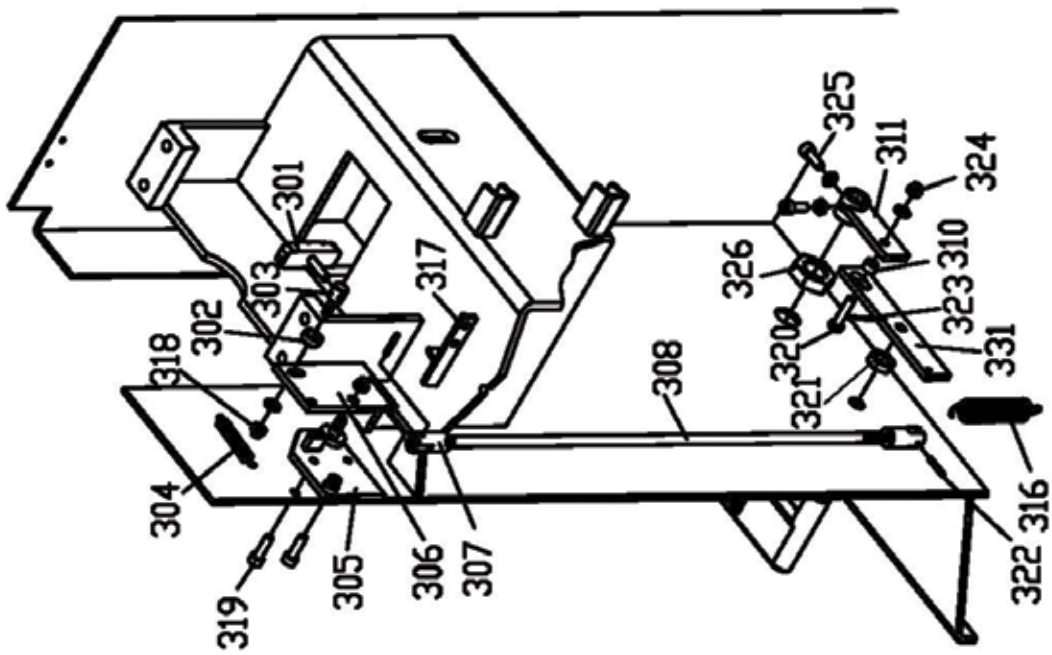
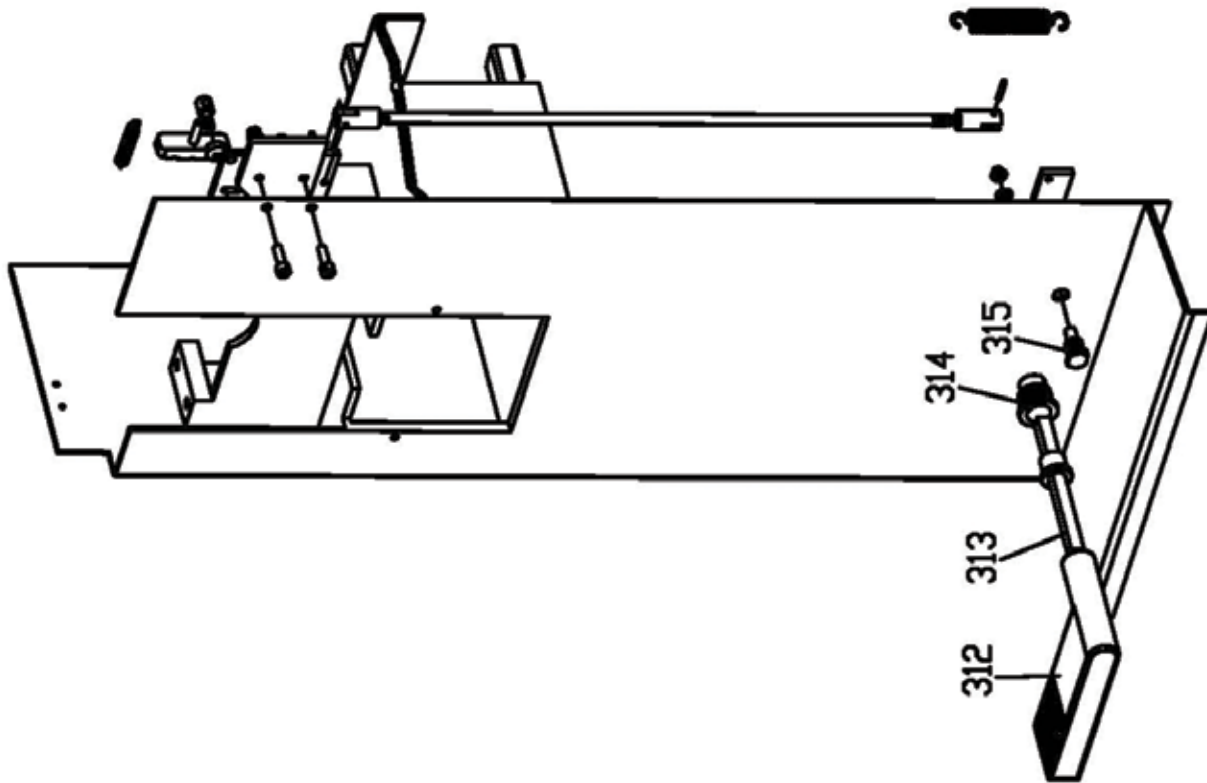
DST-30P CABINET & DISTANCE ARM ASSEMBLY



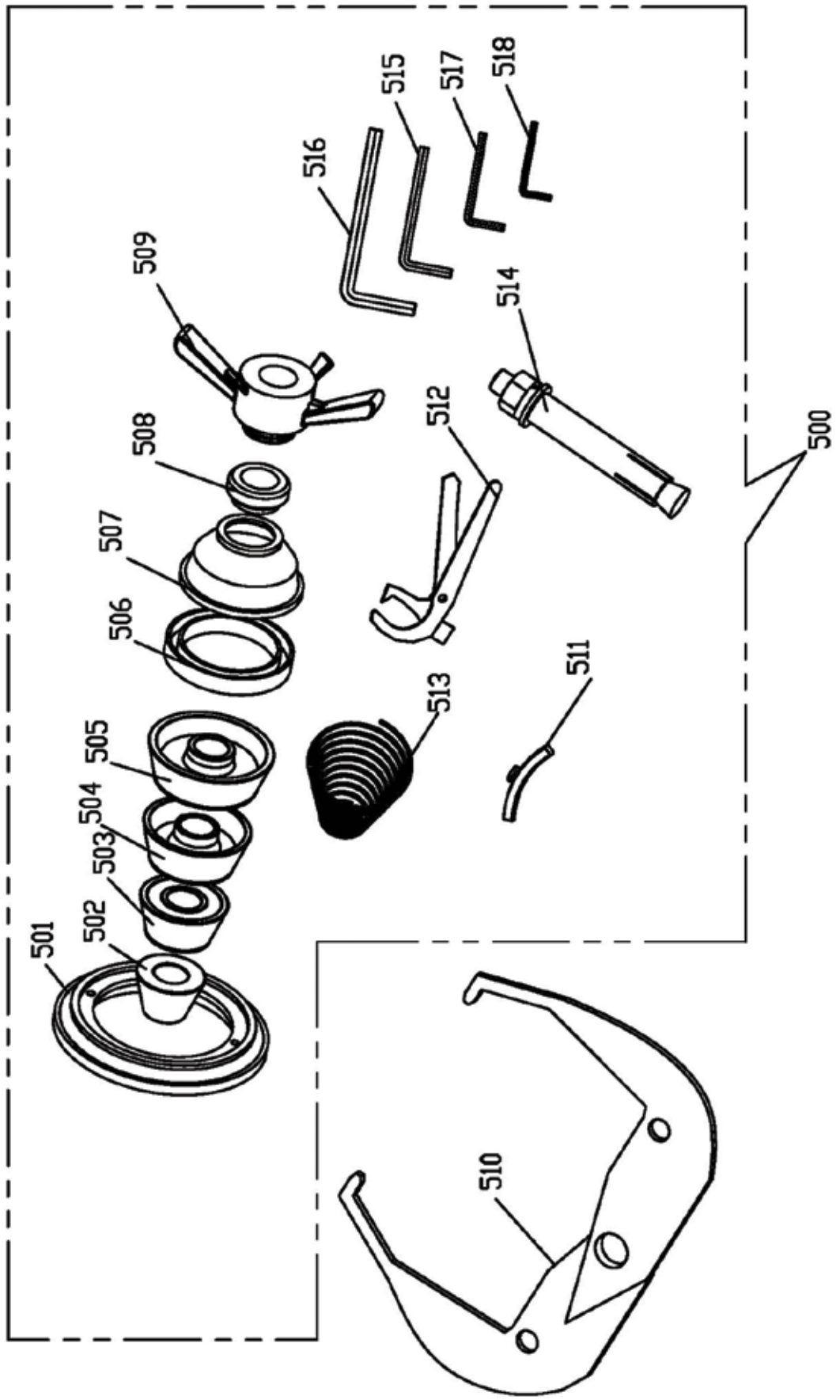
**DST-30P WHEEL BALANCER HOOD ASSEMBLY**



DST-30P WHEEL BALANCER HOOD ASSEMBLY



**DST-30P BRAKE ASSEMBLY**



**DST-30P ACCESSORIES**

<b>Drawing No.</b>	<b>DESCRIPTION</b>	<b>Drawing No.</b>	<b>DESCRIPTION</b>
601	Display Board Panel	312	Brake Pedal
102	Weight Tray	313	Brake Pedal Shaft
103	Hood	314	Pivot Screw M12 x 1.75
104	Hood Mounting Bracket	315	Brake Pedal Bushing
105	Computer Board	316	Lower Brake Return Spring
106	Voltage Selector Switch	317	Brake Bracket
107	Side Storage Rack	318	Lock Nut M6
108	Cone Hanger	319	SHCS M6x12
109	On/Off Switch	320	HHB M6X25
110	Chassis Body	321	Nut M12
111	Thread Shaft / Spindle (36 mm)	322	Pin 4X16
112	SHCS M14X260MM	323	Cotter Pin
113	Distance Arm Small Sleeve	324	SHCSM6X16
114	Distance Arm Rod	325	Nut M6
115	Distance Arm Large Sleeve	326	Nut M20
116	Distance Arm Handle	400	Hood Mounting Assembly
117	Distance Arm Pointer	401	Hood Mounting Assembly Cover
120	Piezo Horizontal Shaft	402	Hood Mounting Assembly Bracket
121	Vertical Piezo Sensor	406	Snap Ring
123	O Ring 4.2 by 3.5 n	407	Hood Switch
124	Spindle Bushing Weldment	408	Hood Cam Stop
125	Encoder Board	409	Hood Cam
126	Motor Belt	410	Adjustable Eye Bolt M8X1.25
127	Motor (110/220 VAC 0.37 KW)	420	Spindle with position board
128	Motor Bracket	422	Sensor Flat Mat
129	Motor Pulley	500	Accessory Box
130	Motor Pulley Key	501	Spacer Ring
131	Distance Arm Sticker	502	44.5 - 74.5 mm Cone (38 mm) - Accessory box
144	Piezo Sensor Pad	502	44.5 - 74.5 mm Cone (36 mm) - Accessory box
145	Self Taping Screw M4. 8x16	503	69 - 94 mm Cone (38 mm) - Accessory box
150	Bearing Cover	503	69 - 94 mm Cone (36 mm) - Accessory box
152	Bearing , 6006	504	90 - 115 mm Cone (38 mm) - Accessory box
160	Injection Molded Hood	504	90 - 115 mm Cone (36 mm) - Accessory box
161	Injection Molded Hood BRKT	505	110 - 134 mm Cone (38 mm) - Accessory box
180	Distance Arm Rod	505	110 - 134 mm Cone (36 mm) - Accessory box
181	Weight Tray	506	Quick Nut Cup Cover
182	Chassis Body	507	Quick Nut Cup
202	Power Board 220V	508	Quick Nut Cover
301	Brake Pad	509	Quick Nut - 38 mm
302	Brake Pad Spacer	510	Wheel Width Caliper
303	Brake Pad Bracket	511	Calibration Weight
304	Upper Brake Return Spring	512	Weight Pliers
305	Brake Fix Mounting Plate	513	Mounting Spring - 38 mm
306	Brake Movable Mounting Plate	515	Allen Wrench - 12 mm
307	Brake Rod Connector	516	Allen Wrench - 6 mm
308	Brake Rod	518	Allen Wrench - 3 mm
310	Brake Linkage Bushing	630	SHCS M8X20





**IMPORTANT NOTICE ABOUT LEAD WHEEL WEIGHTS**

New legislation now makes it illegal to sell, manufacture or install lead wheel weights in many states. Violators can be faced with substantial penalties of up to \$2,500 per day, per violation. Wheel weights made entirely of lead or zinc that end up on the roadway have high potential impacts to human health and the environment compared to steel wheel weights. Steel wheel weights are the preferred alternative due to their comparatively low toxicity and fewer environmental impacts from manufacturing. Lower environmental and human health impacts coupled with the high opportunity for steel wheel weights to be made from recycled material make steel wheel weights the best overall alternative.

Ranger offers a complete line of environmentally conscious steel weights for almost any application. Whether you're wheel balancing needs are focused on passenger cars or trucks, Ranger has the right wheel weight for your needs, in stock and ready for immediate delivery.

**ENTER QTY. NEEDED FOR EACH ITEM. FAX ORDER TO 1-805-933-9160 OR CALL ORDER IN TO 1-800-253-2363 or 1-805-933-9970**

BILL TO:	
Name:	PO #
Company Name:	
Address:	
City:	
State:	Zip:
Phone:	
Email:	

SHIP TO: ( No P.O. Boxes )	
Name:	PO #
Company Name:	
Address:	
City:	
State:	Zip:
Phone:	
Email:	

Method of Payment:  Credit Card  Check Other \_\_\_\_\_ Preferred Shipment Method:  Rush 1-3 Days  Standard 5-10 Days  
**Fax order form to 1-805-933-9160 or call order in to 1-800-253-2363 or 1-805-933-9970. Email order form to sales@bendpak.com**

STEEL ADHESIVE WHEEL WEIGHTS (SELF-DISPENSING CARTON)						
SKU	DESCRIPTION	SALE PRICE EA.	BULK PRICE EA. (MIN. 10)	ORDER QTY.	TOTAL \$	
5150220	Adhesive Steel Wheel Weights / Silver / ROLL (700 pcs. - 0.25 oz. - 1/2" Wide -11 lbs.)					
5150225	Adhesive Steel Wheel Weights / Black / ROLL (700 pcs. - 0.25 oz. - 1/2" Wide - 11 lbs.)					
5150230	Adhesive Steel Wheel Weights / Combo / ROLLS (1400 pcs. - 0.25 oz. - 1/2" Wide - 22 lbs.)					

CLIP-ON STEEL WHEEL WEIGHTS (STANDARD STEEL WHEELS)						
SKU	DESCRIPTION	SALE PRICE EA.	BULK PRICE EA. (MIN. 10)	ORDER QTY.	TOTAL \$	
5150250	Clip-on Steel Wheel Weights Coated / Steel Wheels / 0.25 oz. ea. / Qty. 25 / Pfc / 1.21 lbs. / Box					
5150255	Clip-on Steel Wheel Weights Coated / Steel Wheels / .50 oz. ea. / Qty. 25 / Pfc / 1.61 lbs. / Box					
5150260	Clip-on Steel Wheel Weights Coated / Steel Wheels / .75 oz. ea. / Qty. 25 / Pfc / 2.01 lbs. / Box					
5150265	Clip-on Steel Wheel Weights Coated / Steel Wheels / 1 oz. ea. / Qty. 25 / Pfc / 1.61 lbs. / Box					
5150270	Clip-on Steel Wheel Weights Coated / Steel Wheels / 1.25 oz. ea. / Qty. 25 / Pfc / 2.01 lbs. / Box					
5150275	Clip-on Steel Wheel Weights Coated / Steel Wheels / 1.5 oz. ea. / Qty. 25 / Pfc / 2.41 lbs. / Box					
5150280	Clip-on Steel Wheel Weights Coated / Steel Wheels / 1.75 oz. ea. / Qty. 25 / Pfc / 2.82 lbs. / Box					
5150285	Clip-on Steel Wheel Weights Coated / Steel Wheels / 2 oz. ea. / Qty. 25 / Pfc / 3.22 lbs. / Box					
5150290	Clip-on Steel Wheel Weights Coated / Steel Wheels / 2.25 oz. ea. / Qty. 25 / Pfc / 3.62 lbs. / Box					
5150295	Clip-on Steel Wheel Weights Coated / Steel Wheels 2.5 oz. ea. / Qty. 25 / Pfc / 4.02 lbs. / Box					
5150305	Clip-on Steel Wheel Weights Coated / Steel Wheels 2.75 oz. ea. / Qty. 25 / Pfc / 4.43 lbs. / Box					
5150310	Clip-on Steel Wheel Weights Coated / Steel Wheels 3 oz. ea. / Qty. 25 / Pfc / 4.83 lbs. / Box					

**GRAND TOTAL**

**NOTICE:** After we are in receipt of your order, one of our courteous sale team members will call you to confirm your order and confirm payment method. Please make sure to write legibly and include your full name, email and phone number so that we may best assist you. Your order will be shipped 5-10 business days after we have received your order (this includes a completed order form and full payment). Shipping charges will be detailed on your final receipt.