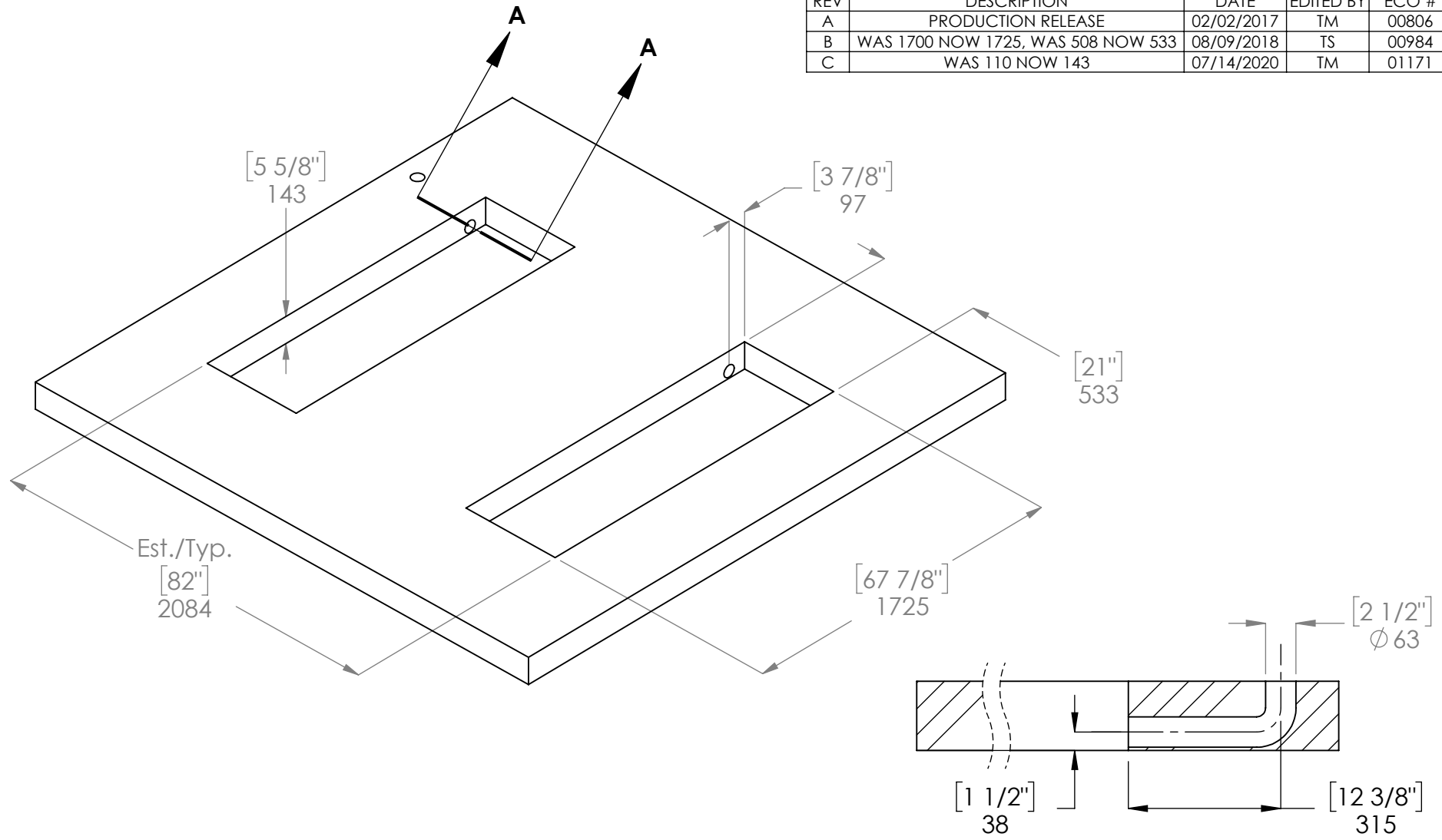


REVISION				
REV	DESCRIPTION	DATE	EDITED BY	ECO #
A	PRODUCTION RELEASE	02/02/2017	TM	00806
B	WAS 1700 NOW 1725, WAS 508 NOW 533	08/09/2018	TS	00984
C	WAS 110 NOW 143	07/14/2020	TM	01171



SECTION A-A
SCALE 1 : 12

NOTE: UNLESS OTHERWISE SPECIFIED.

DO NOT SCALE DRAWING	NAME	DATE	 1645 LEMONWOOD DR. SANTA PAULA, CA 93060
	TM	02/02/2017	
DIMENSIONS ARE IN MM 	CHECKED		TITLE:
	THIRD ANGLE PROJECTION		MDS-6LPF FLUSH MOUNT CONCRETE PRE-POUR LAYOUT
 <small>PROPRIETARY AND CONFIDENTIAL THE INFORMATION CONTAINED IN THIS DRAWING IS THE SOLE PROPERTY OF BENDPAK INC. ANY REPRODUCTION IN PART OR AS A WHOLE WITHOUT THE WRITTEN PERMISSION OF BENDPAK INC. IS PROHIBITED.</small>	SIZE	DWG. NO.	REV
	A		C
SCALE: 1:25			SHEET 1 OF 1