

**MODEL: M7**  
**MAXJAX™ PORTABLE TWO-POST LIFT**

For convenience, portability and compact storage, nothing beats the patented MaxJax™ lifting system by Dannmar. Thanks to its unique portable two-post design, the MaxJax system offers greater versatility and serviceability when compared to traditional mid-rise or low-rise garage lifting systems. The MaxJax provides wheels-free convenience for quick brake and tire service and clear undercarriage access for all types of vehicles. Fully adjustable lift arms easily reach factory lift points providing a safe and effective way of lifting vehicles. Special flush-mounted concrete anchors are installed in your concrete floor and remain there permanently allowing for quick set-up.

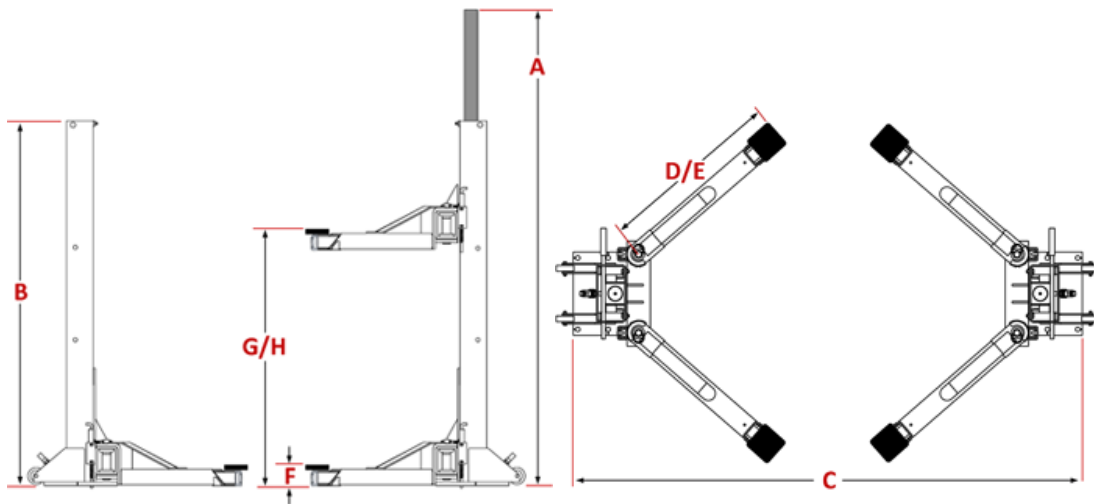


**FEATURES:**

- ✓ Rated capacity 7,000 lbs.
- ✓ Rugged steel construction
- ✓ Portable design
- ✓ Automatic safety locks
- ✓ Small frame size for easy storage
- ✓ Quick-disconnect self-sealing hose connections
- ✓ 46" lifting height (49" with adapters)
- ✓ Direct-drive, low-pressure cylinders – no lifting chains or cables
- ✓ Fully adjustable lift arms and stackable adapters for increased vehicle lifting point coverage
- ✓ From storage to working in less than 15 minutes
- ✓ ALI Certified



Optional motorcycle adapters allows you to safely lift motorcycles, ATV's or other motorized vehicles to a comfortable working height.



## SPECIFICATIONS

Lifting Capacity*	7,000 Lbs. / 3175 Kg.
*Max Capacity / Front Axle	3,500 Lbs. / 1587Kg.
*Max Capacity / Rear Axle	3,500 Lbs. / 1587 Kg.
Max Load Per Arm:	1,500 Lbs. / 680 Kg.
A - Height Overall: (*)	89.5" / 2273 mm.
B- Height of Column:	64" / 1626 mm.
C - Typical Width (Outside of Base Plate):	105" - 125" / 2667 mm. - 3175 mm.
D - Arm Reach (Min.):	27.75" / 705 mm.
E - Arm Reach (Max.):	40.75" / 1035 mm
F - Min. Pad Height:	4" / 102 mm.
G - Max Lift Height (Pad Only):	46" / 1168 mm.
H - Max Lift Height (With 3" Adapter):	49" / 1245 mm.
Motor (**)	110-240 VAC / 50-60 Hz. 1Ph.
Time of full Rise:	30-Seconds
Individual Column Weight :	320 Lbs. / 145 Kg.
Shipping weight:	960 lbs. / 435 kg.
<p>* To top of cylinder when extended to max rise.            ** Special Voltages Available Upon Request.            The design, material and specifications are subject to change without notice.</p>	