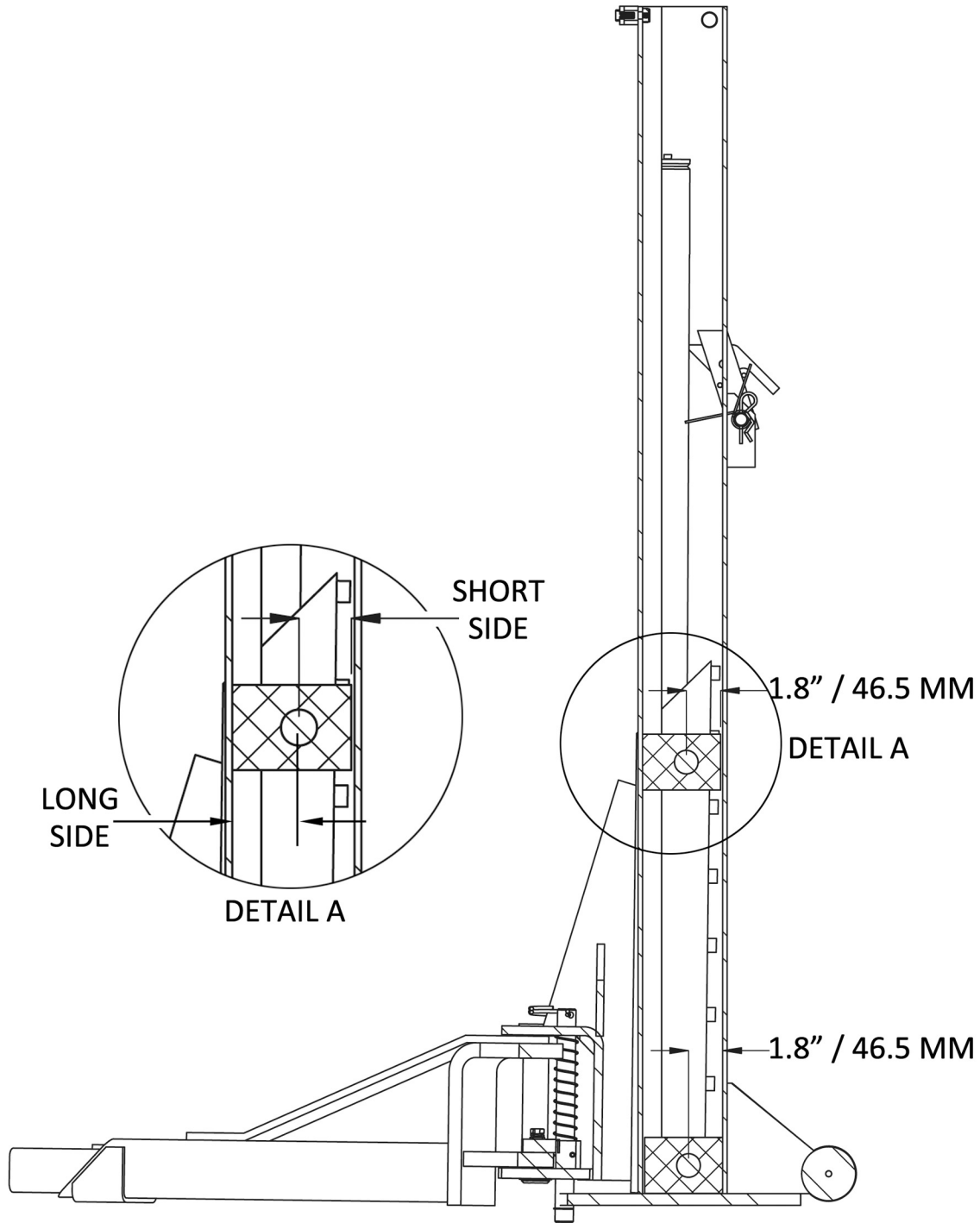


**IMPORTANT WARNING**

**ALWAYS BE SURE THAT THE UHMW SLIDE BLOCKS ARE  
INSTALLED AS ILLUSTRATED BELOW.**



**MAXJAX<sup>®</sup>**

Copyright 2020 MaxJax USA. All Rights Reserved.  
The MaxJax is protected by one or more patents or claims of patents in the U.S. and elsewhere.

Specifications subject to change without notice.  
PATENT NO. US 8.256.577 B2 - PATENT NO. US 9.150.395 B2

MaxJax™ 5240 Willis Rd., Theodore, AL 36582  
Tel: 1-877-453-0693 Email: contact@maxjaxusa.com

www.maxjaxusa.com  
A division of BendPak Inc.