

PL-12000DPS

Multi-Platform Parking Lift

12,000-lb. Capacity, Tandem, Independent Platforms / Standard Rise, Standard Length

babco

Questions? Contact Babco's Sales Team

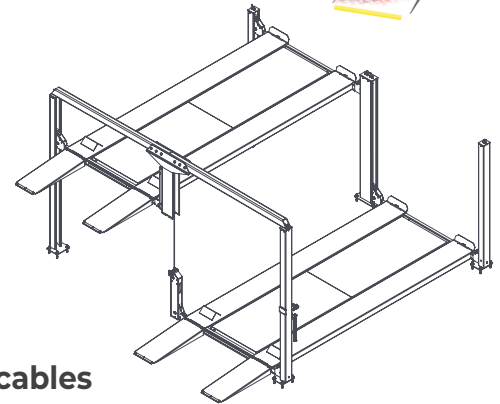
info@babco.ca | 1-800-661-5313

A Vehicle Storage Dream

BendPak's newest PL-12000DP parking lift is a revolutionary vehicle storage solution for those challenged with owning more cars and trucks than parking spaces to store them. They can greatly expand the number of cars in a facility without expanding building space.

Features:

- Standard rise, standard length
- 12,000-lb. lifting capacity
- Multiple locks for multi-height parked settings
- Wide baseplates for maximum stability
- Dual electric-hydraulic power units
- Heavy-duty steel construction
- Front and rear wheel chocks
- 6,000 lb. capacity per side
- Built-in wheel stops
- Perfect for cars, light trucks, motorcycles, and ATVs
- Dual hydraulic cylinders with heavy-duty galvanized lifting cables



Model: PL-12000DPS	Multi-Platform Parking Lift
Number of Platforms	2
Load Capacity per Platform	6,000lbs. / 2,722kg
Total Width	221.5" / 5,624mm
Outside Length	174" / 4,418mm
Total Length	218.5" / 5,550mm
Total Height	118.5" / 3,009mm
Min. Runway Height	4.75" / 121mm
Maximum Rise	70.2" / 1,784mm
Width Between Posts	211" / 5,362mm
Width Between Short & Double Posts	100.25" (2,546mm)
Width Between Platforms	29" / 739mm
Width Between Runways	35" or 41" / 887 or 1,045mm
Runway Length	159" / 4,039mm
Runway Width	85" / 2,161mm
Drive Thru Height	68.5" / 1,742mm
Outside Edge of Runways	76 or 82" / 1,930 or 2,083mm
Safety Lock Positions	6
Power Unit / Motor	220V / 50/60Hz/1-PH

